

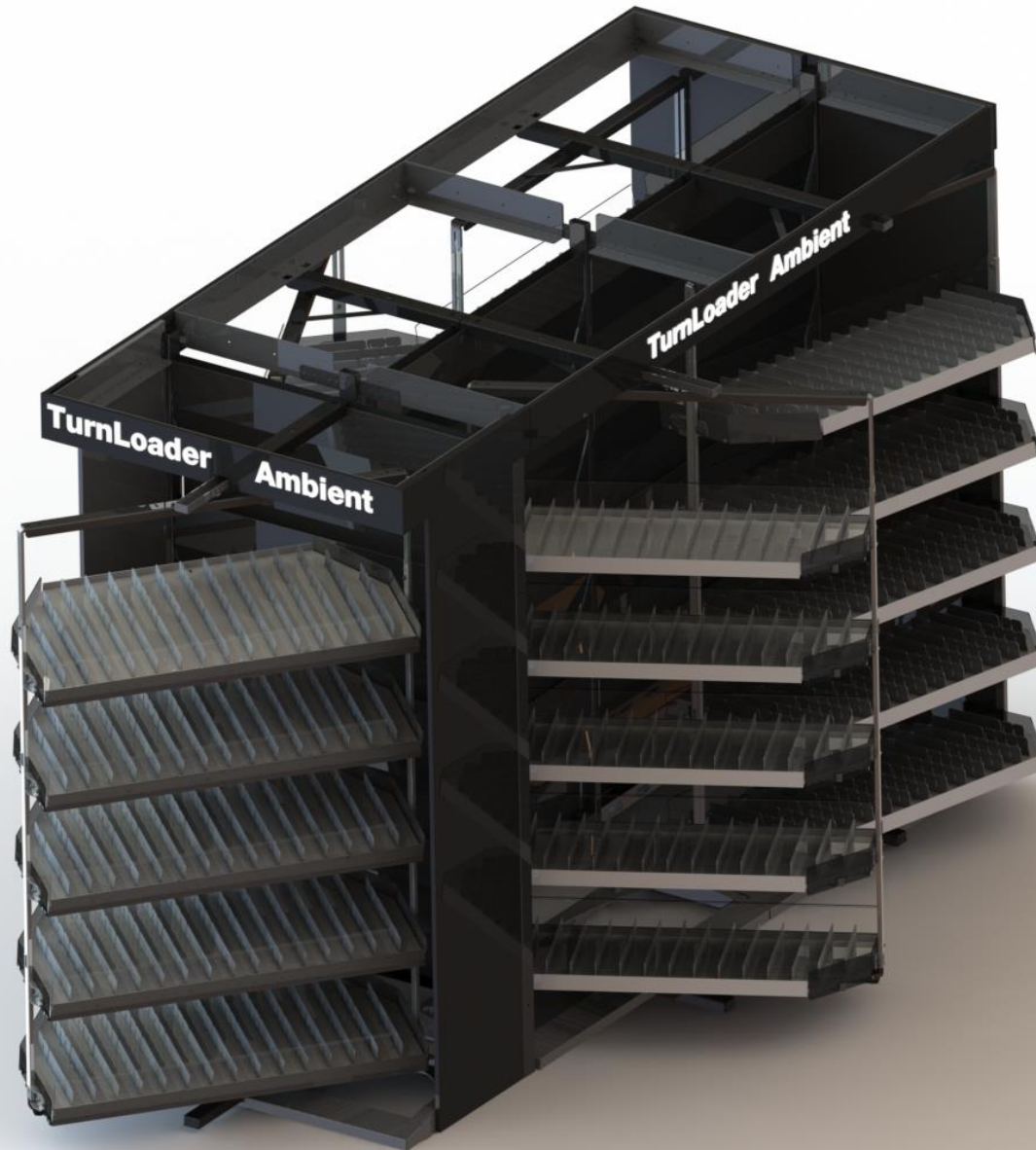
User installation manual

TurnLoader™ AMBIENT **EASYFILL**
TurnLoader™ AMBIENT **RETROFIT**

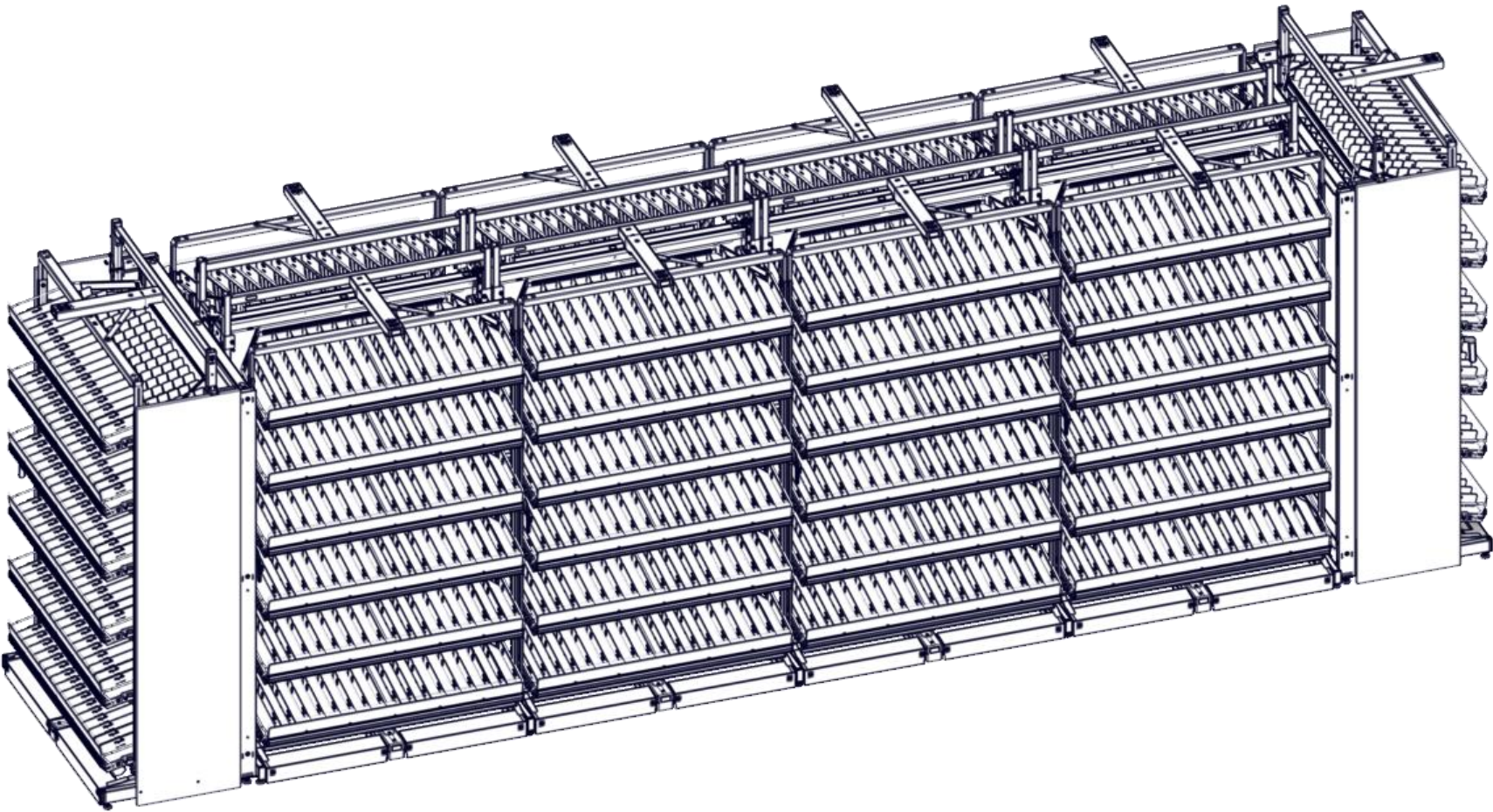


CONTENT

TurnLoader™ AMBIENT EASYFILL	4
EXTRA – SIDE COVER	56
TurnLoader™ AMBIENT RETROFIT	58
CLEANING	66



TurnLoader™ AMBIENT **EASYFILL**



WARNING

ENGLISH

Important information.

Read carefully.

Keep this information for further reference.

WARNING

Serious or fatal crushing injuries can occur from system tip-over. To prevent this system from tipping over it must be permanently fixed to the wall.

DEUTSCH

Wichtige Information.

Sorgfältig lesen.

Diese Information aufbewahren.

ACHTUNG

Wenn System umkippen, können ernste oder lebensgefährliche Verletzungen durch Einklemmen die Folge sein. Um zu verhindern, dass das System umkippt, muss es fest an der Wand verankert werden.

SLOVENSKY

Dôležité informácie.

Prečítajte si pozorne.

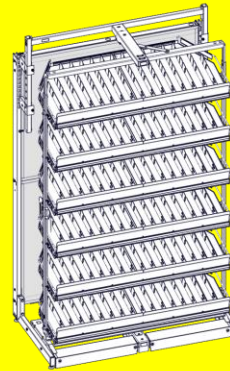
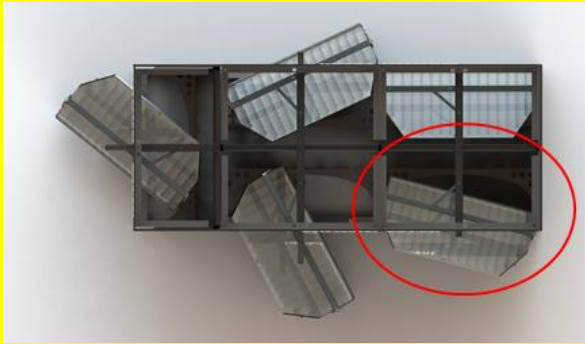
Tieto informácie si ponechajte.

NEBEZPEČENSTVO

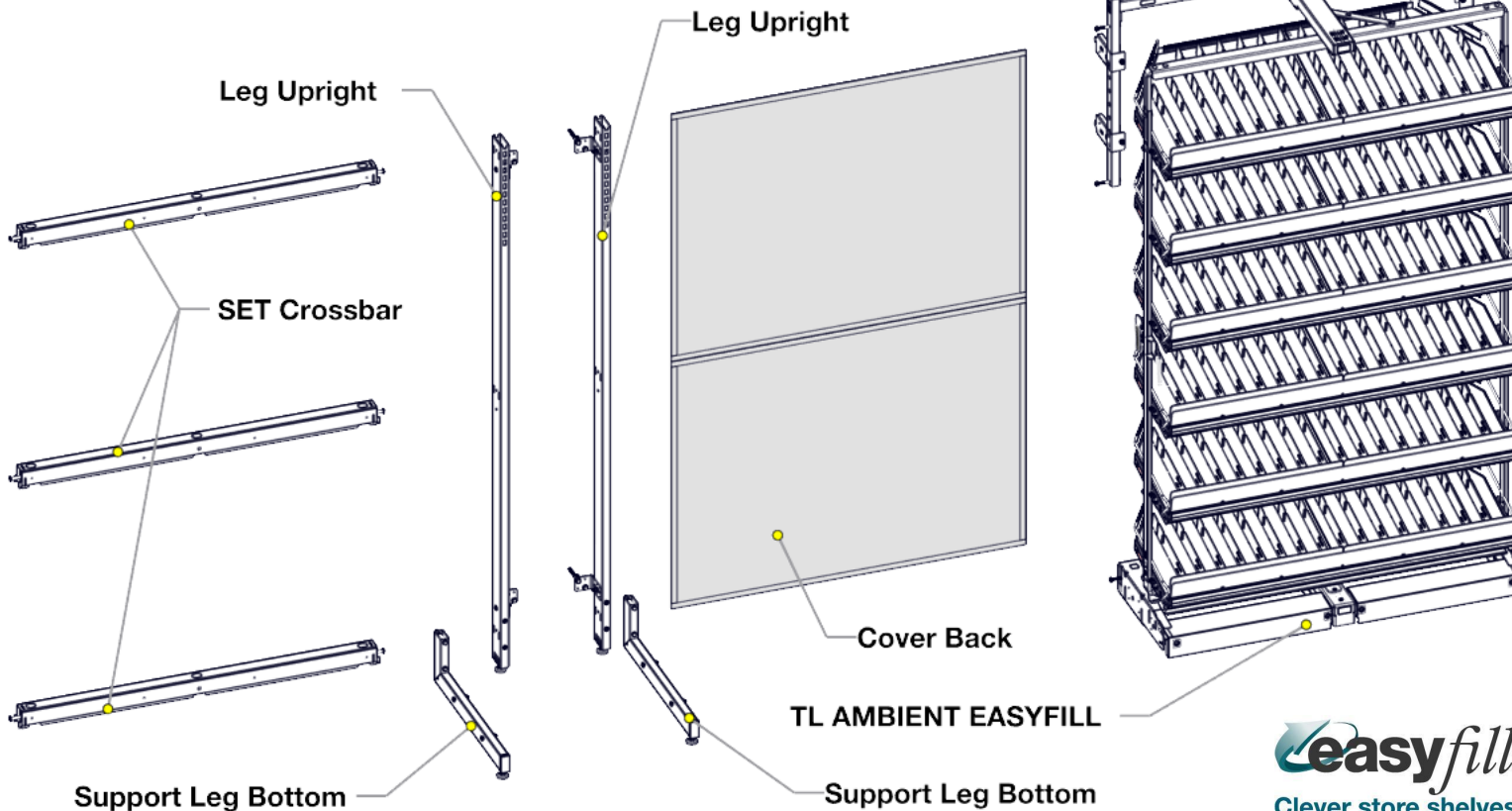
Ak sa systém prevráti, môže dôjsť k vážnym alebo život ohrozujúcim zraneniam pri zachytení. Aby sa zabránilo prevráteniu, musí byť systém pevne ukotvený k stene.



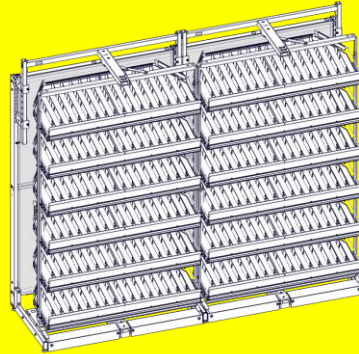
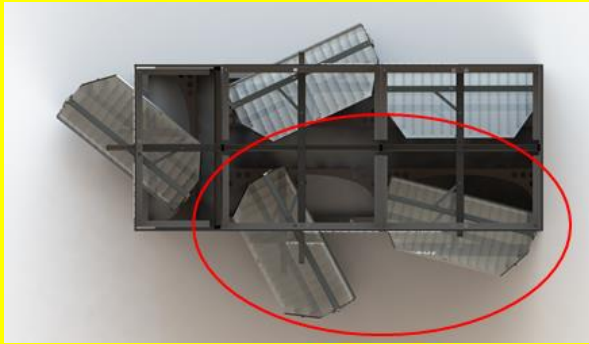
TurnLoader™ AMBIENT EASYFILL - 1 SET – single



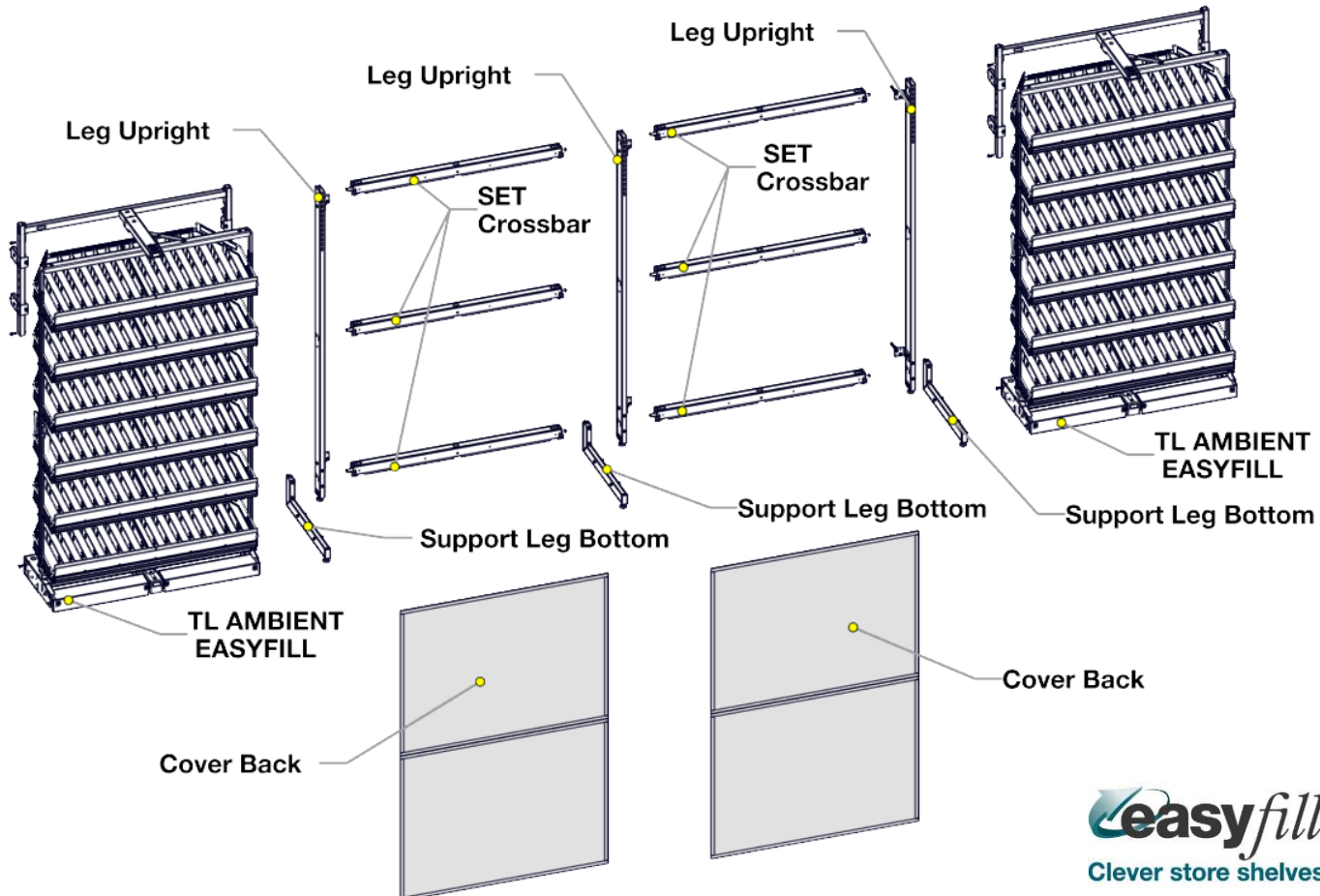
- 1x – TL™ AMBIENT EasyFill
- 1x – SET Crossbar
- 2x – Leg Upright
- 2x – Support Leg Bottom
- 1x – Cover Back



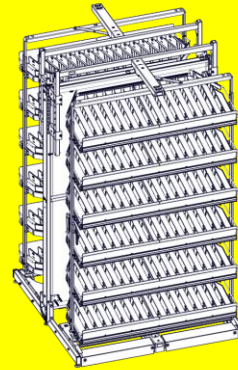
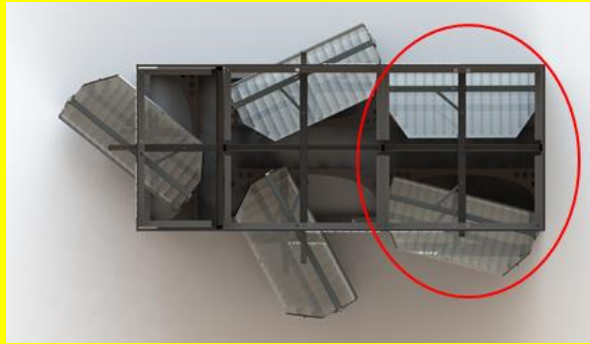
TurnLoader™ AMBIENT EASYFILL- 2 SET – two in row



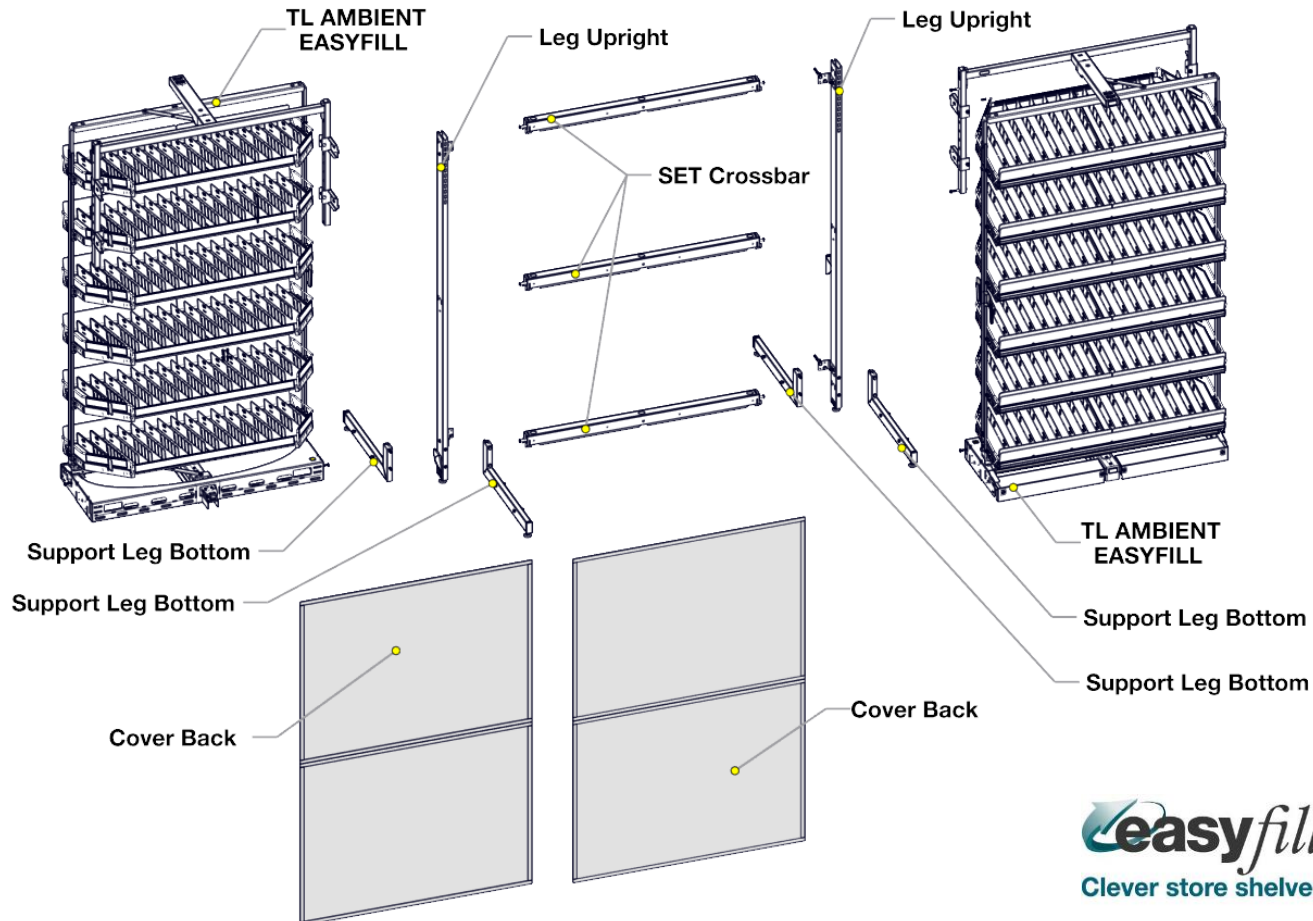
- 2x – TL™ AMBIENT EasyFill
- 2x – SET Crossbar
- 3x – Leg Upright
- 3x – Support Leg Bottom
- 2x – Cover Back



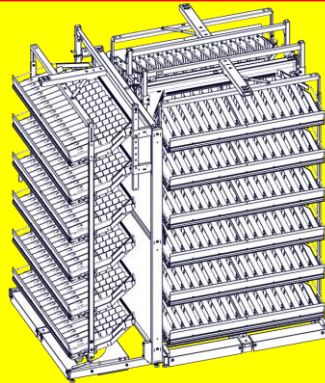
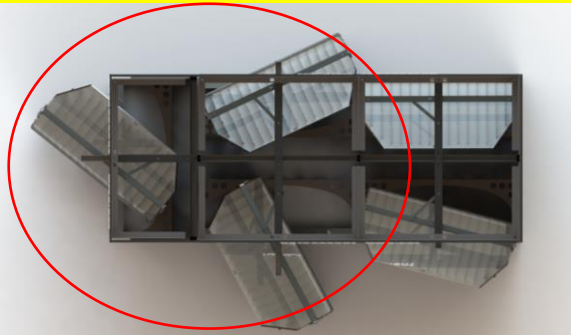
TurnLoader™ AMBIENT EASYFILL- 2 SET – back to back



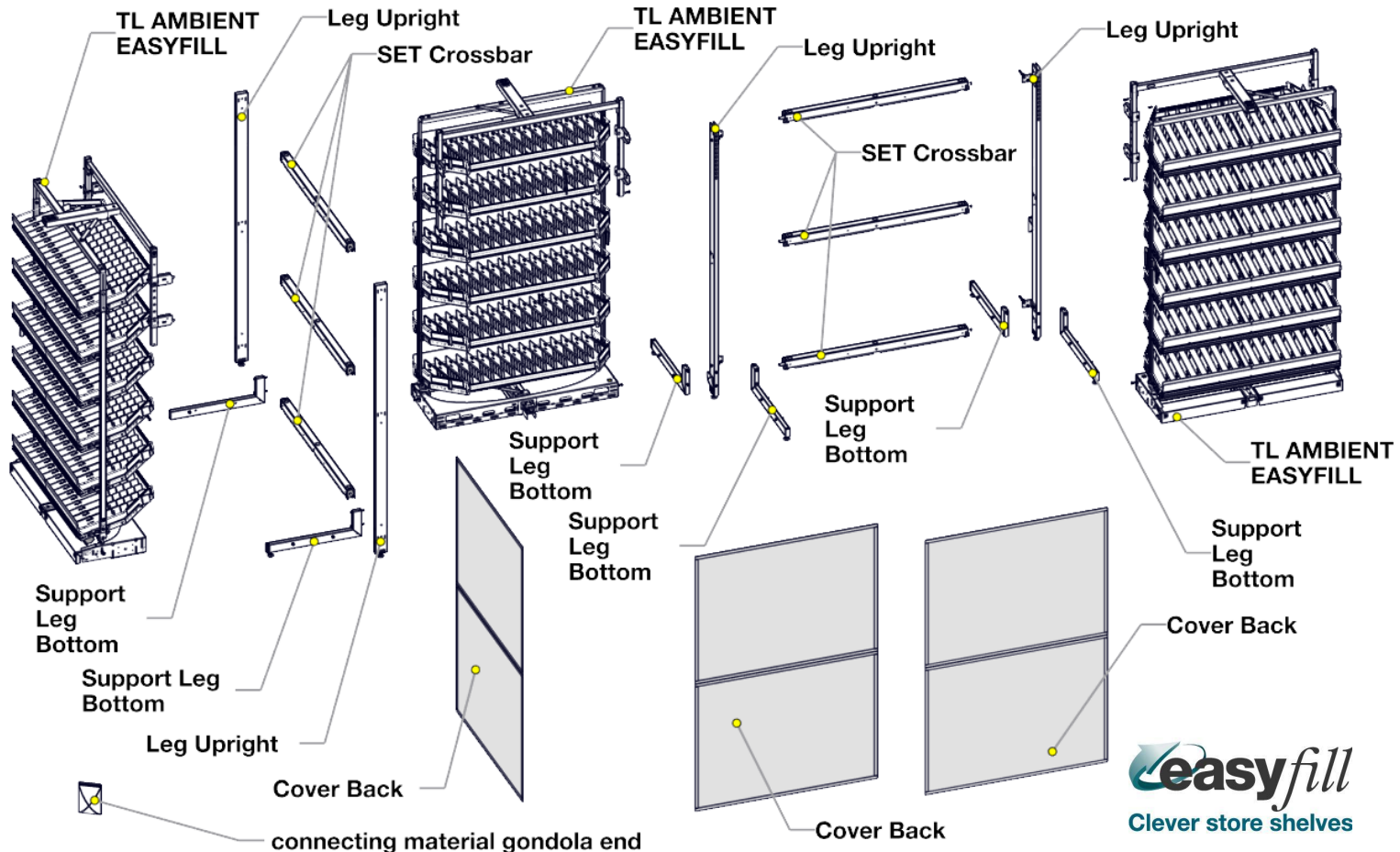
- 2x – TL™ AMBIENT EasyFill
- 1x – SET Crossbar
- 2x – Leg Upright
- 4x – Support Leg Bottom
- 2x – Cover Back



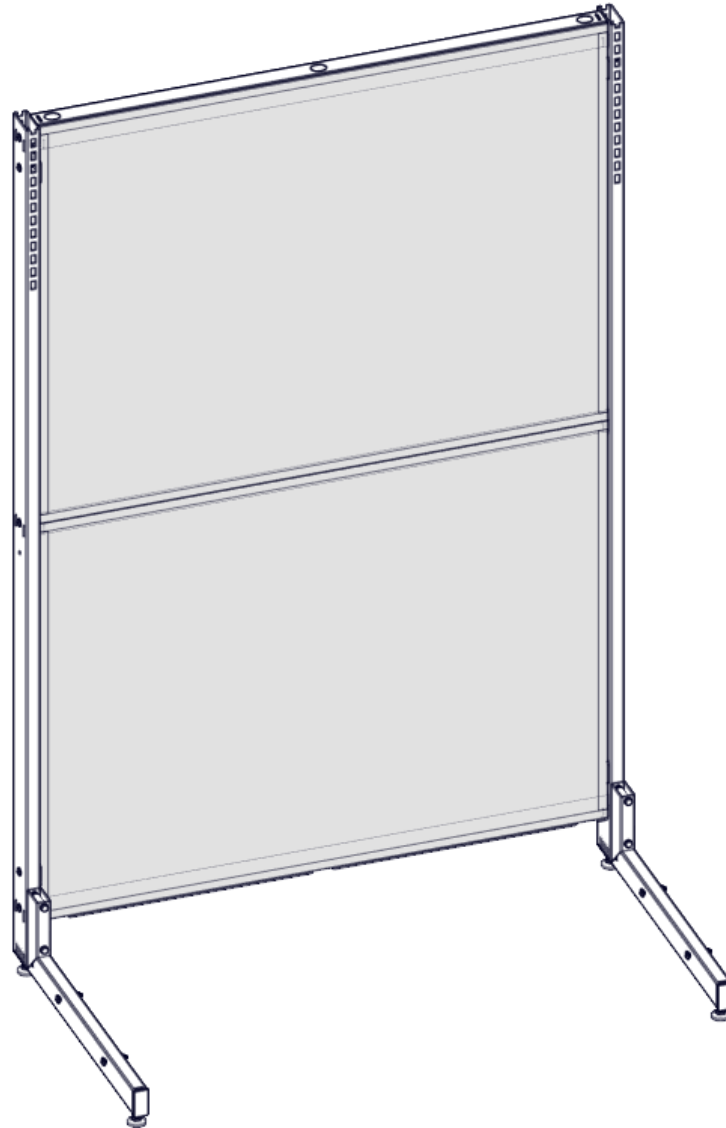
TurnLoader™ AMBIENT EASYFILL– Gondola End

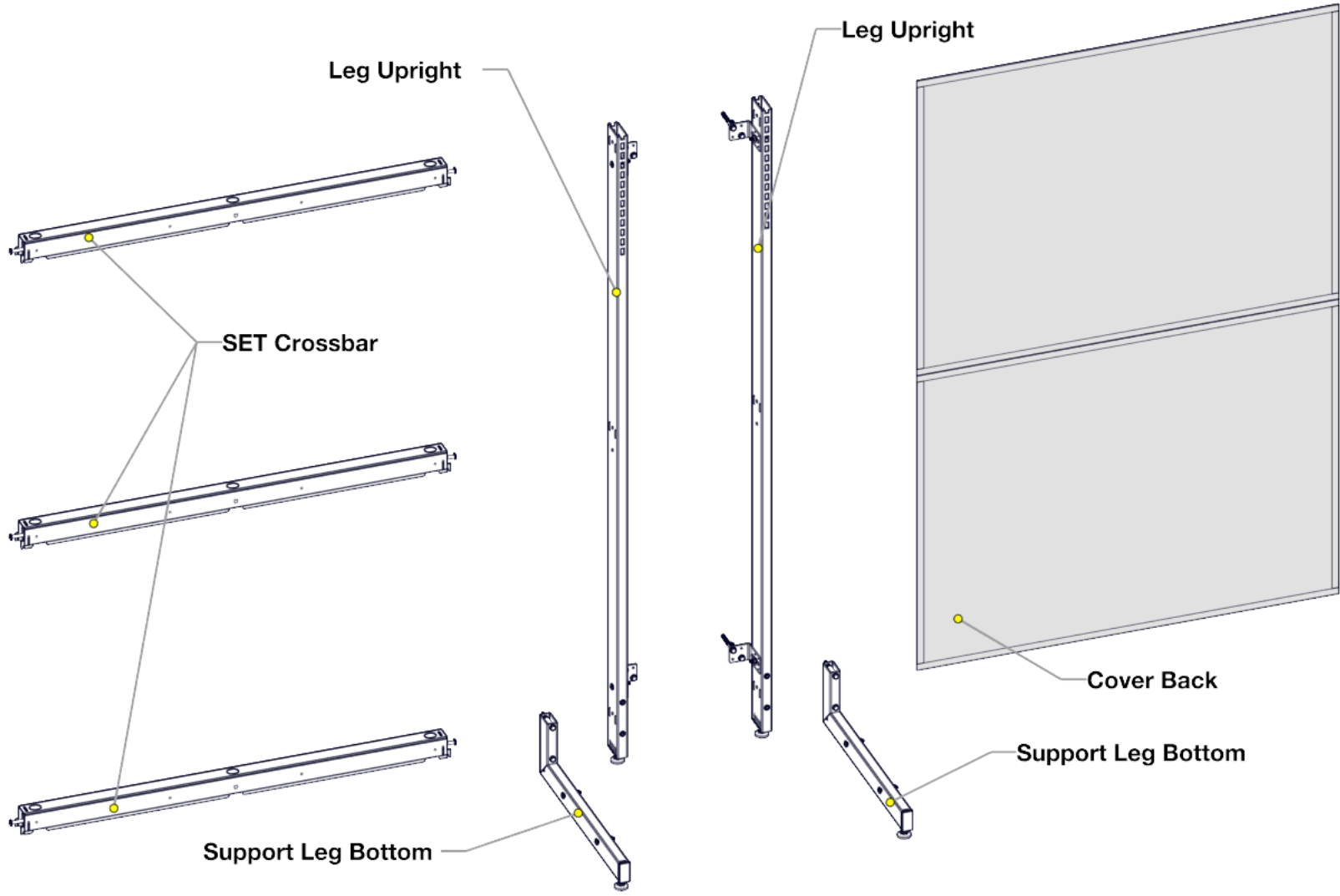


- 3x – TL™ AMBIENT EasyFill
- 2x – SET Crossbar
- 4x – Leg Upright
- 6x – Support Leg Bottom
- 3x – Cover Back
- 1x – connecting material gondola end

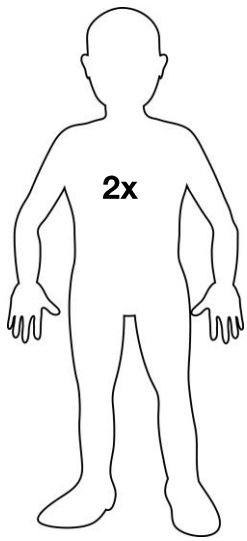


GONDOLA- for TurnLoader™ AMBIENT EasyFill





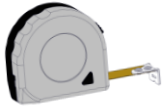
Installation



allen key 5



wrench 13 – 2x



measuring tape



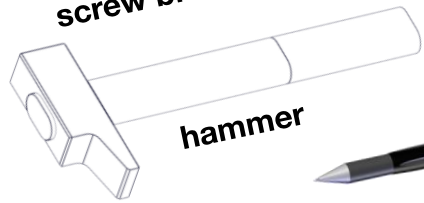
SDS drill $\varnothing 10$



screw bit 13 mm



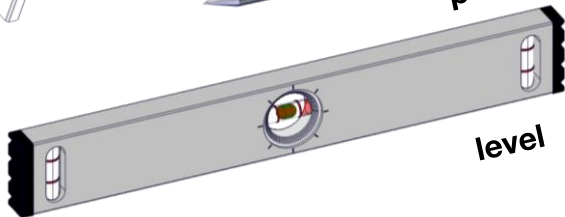
screwdriver, drill



hammer



pencil



level



Leg Upright



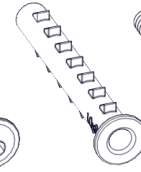
2x



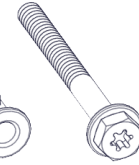
2x



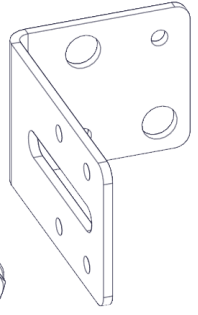
2x



4x



4x



2x



Support Leg Bottom



1x



2x



4x



2x



2x



Set Crossbar



6x

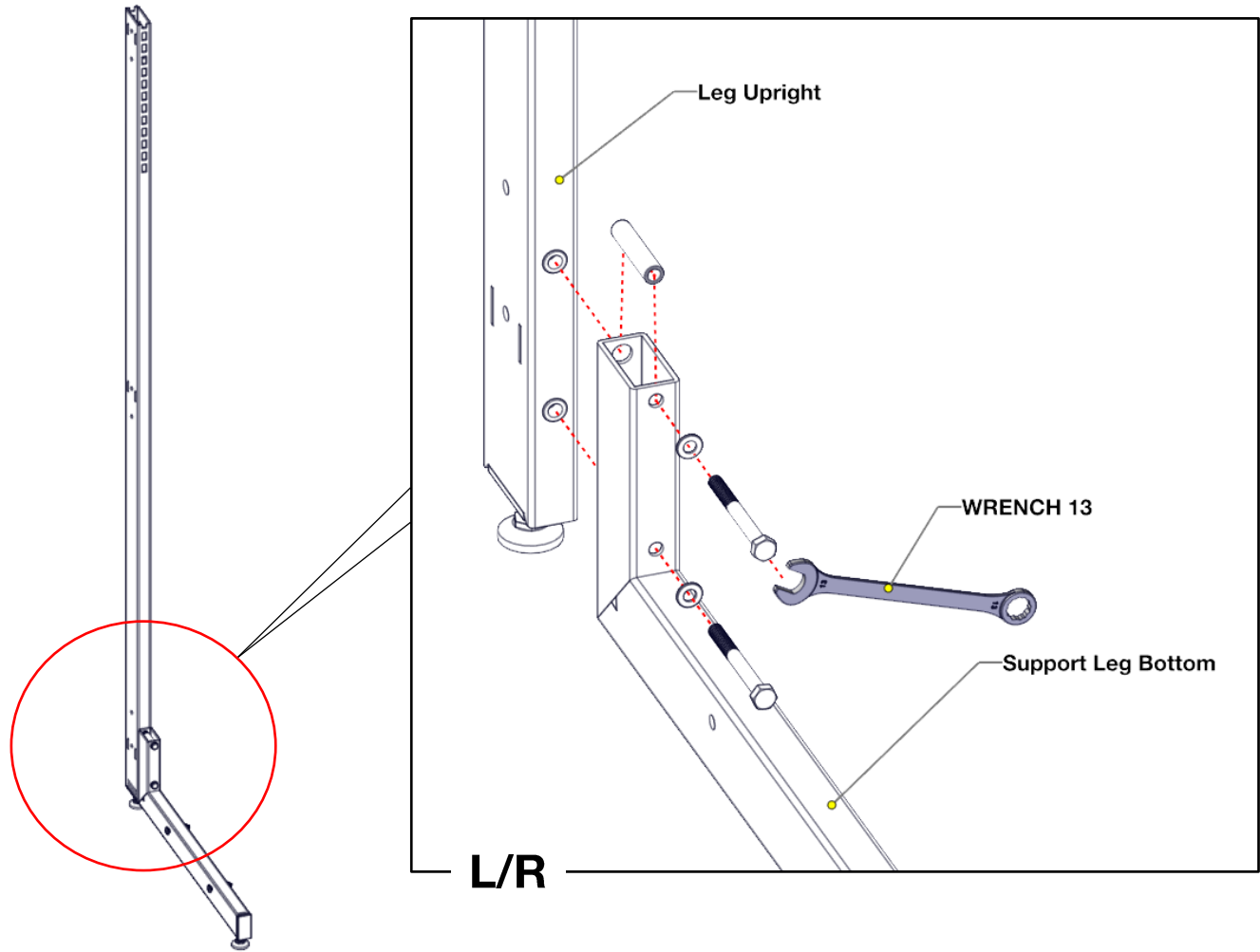
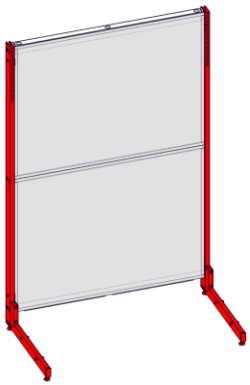


6x

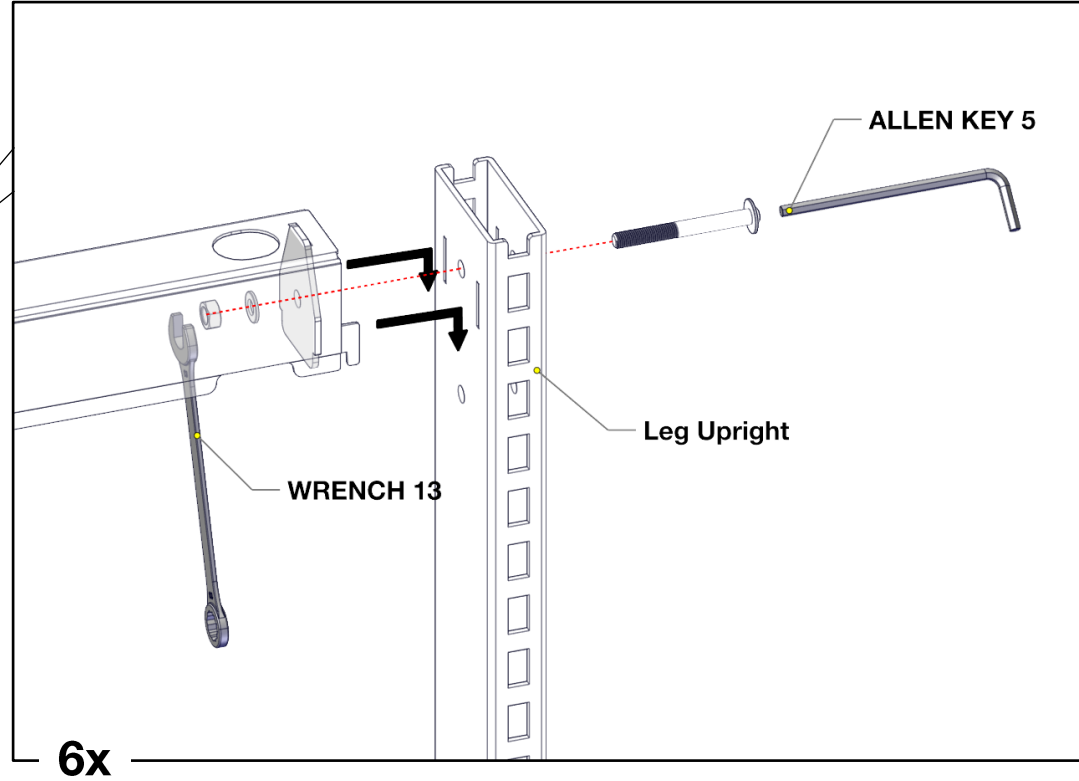
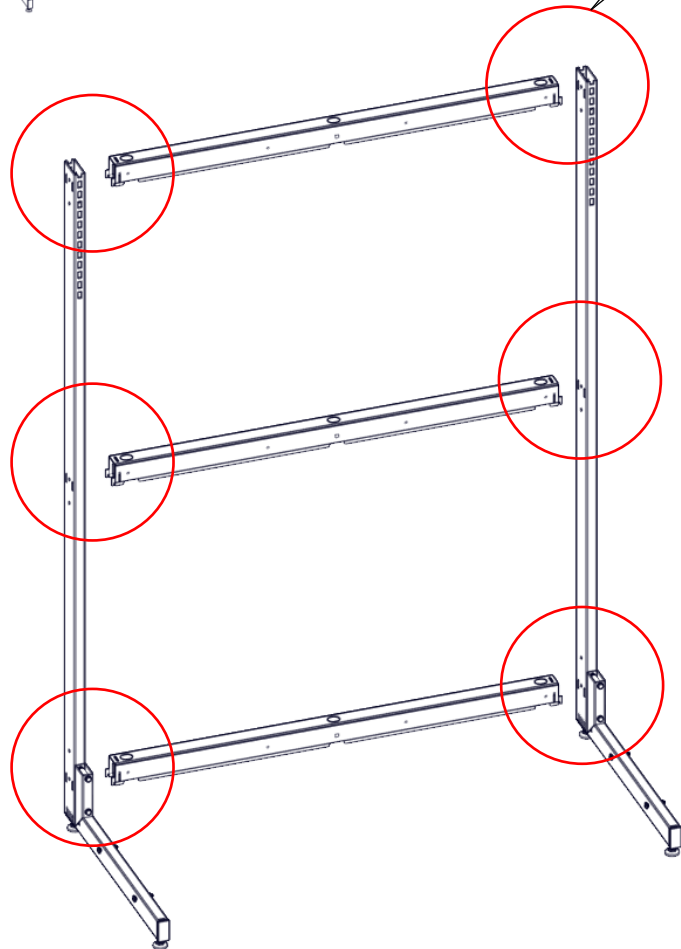
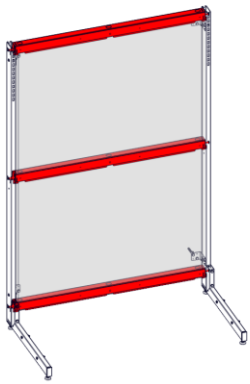


6x

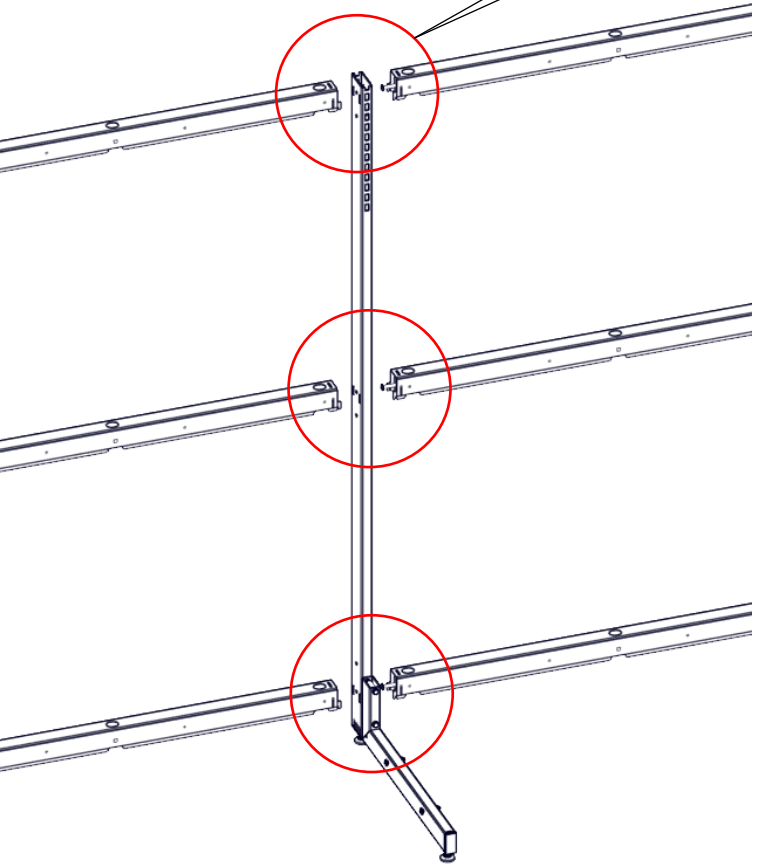
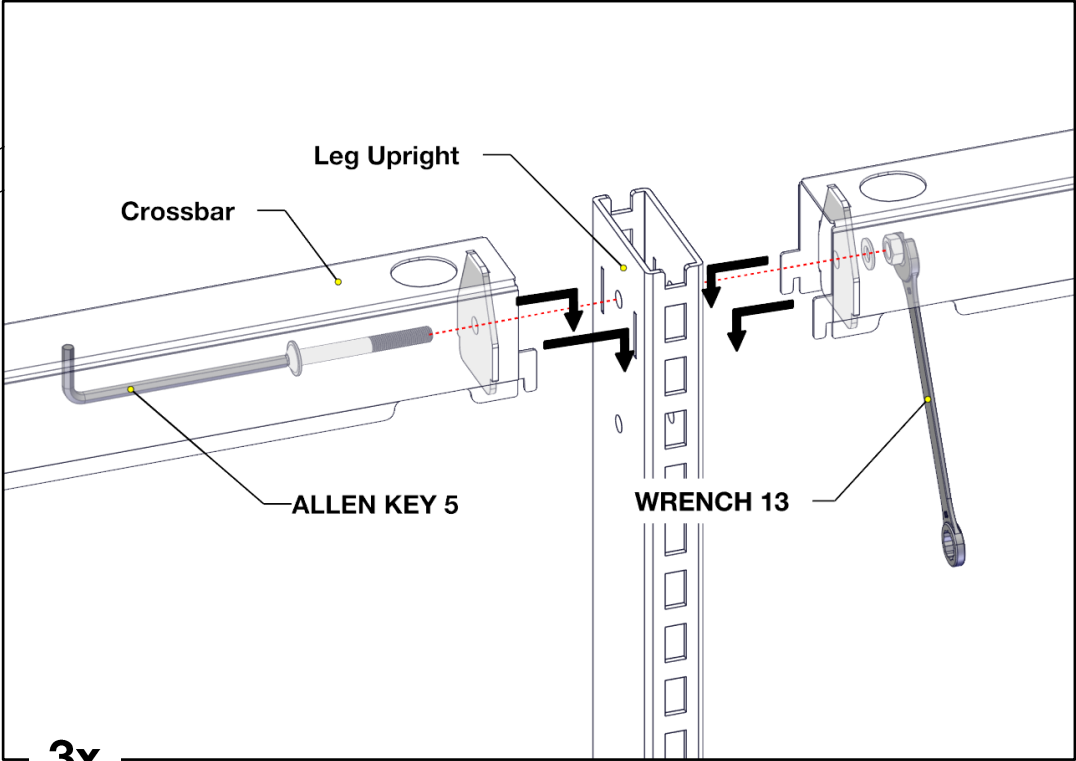
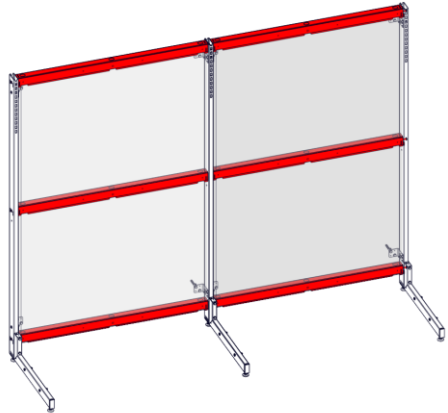
Installation



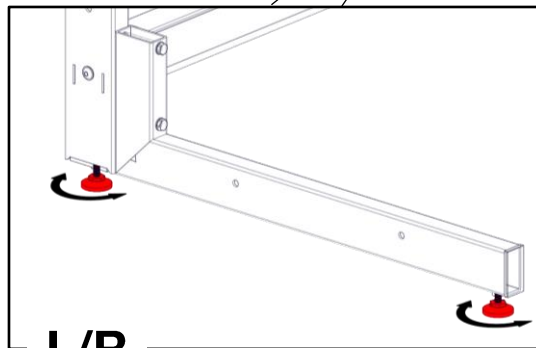
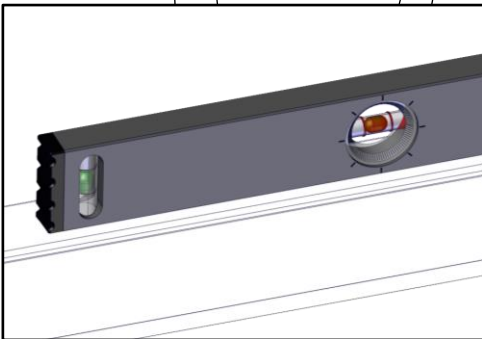
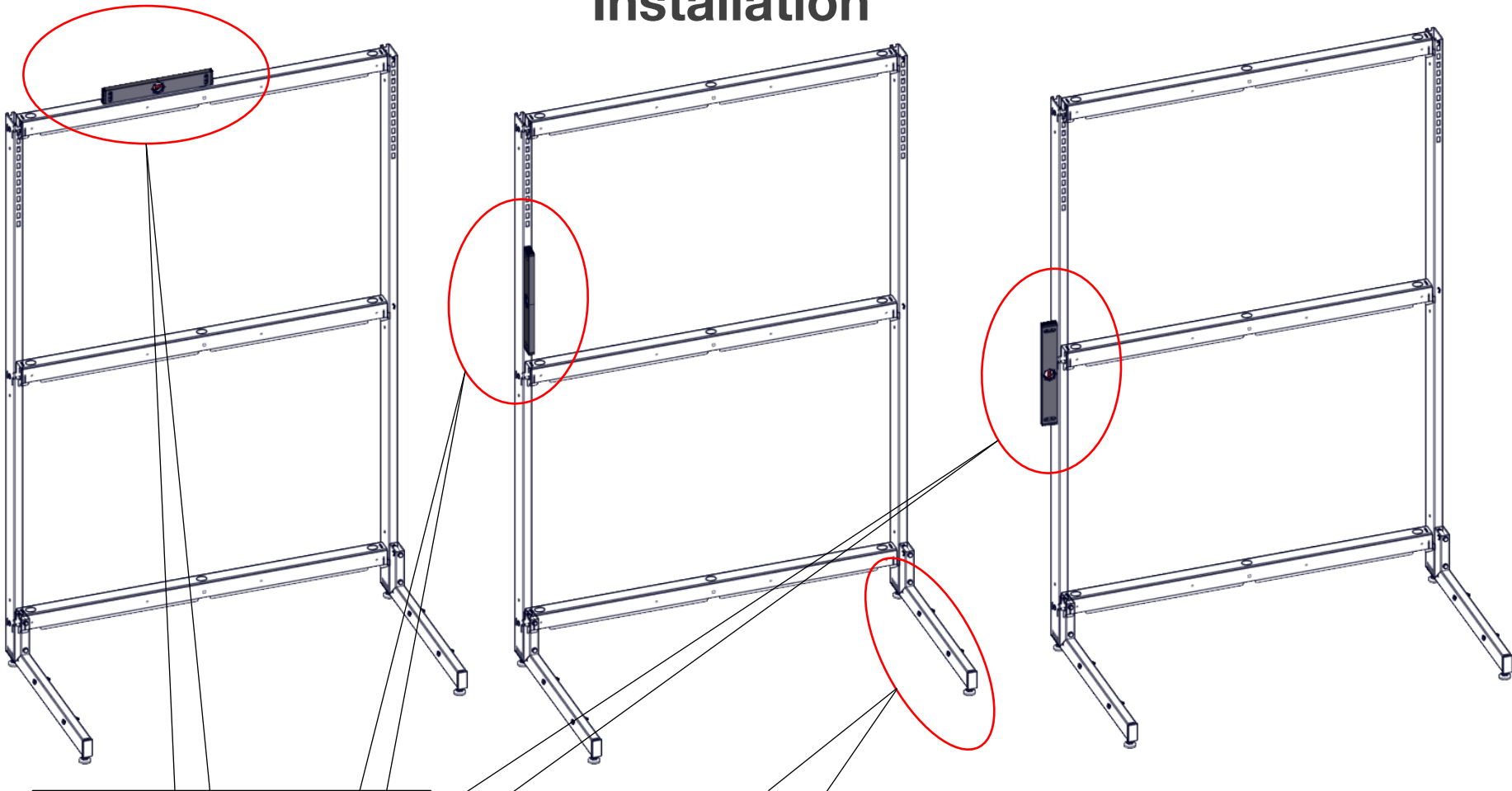
Installation



Multiple Installation

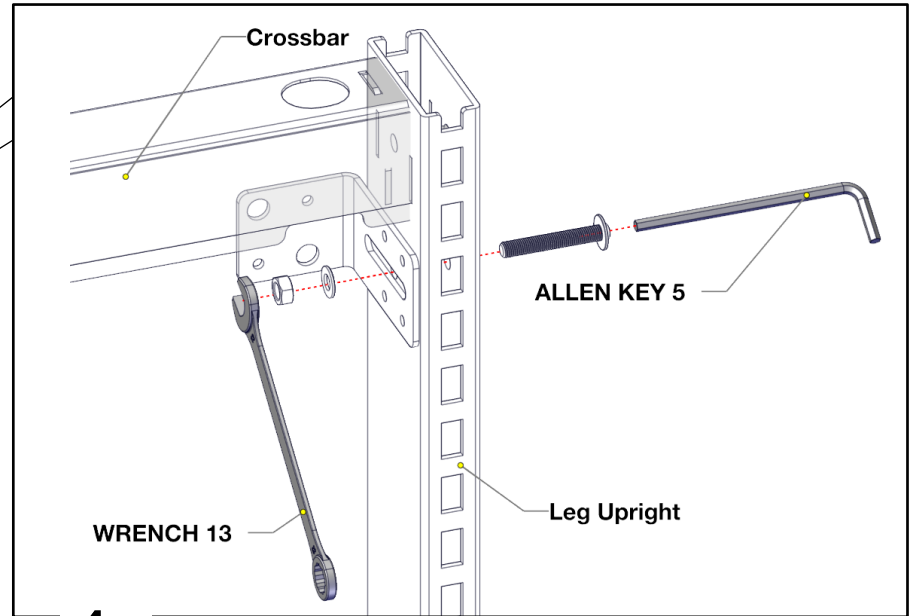
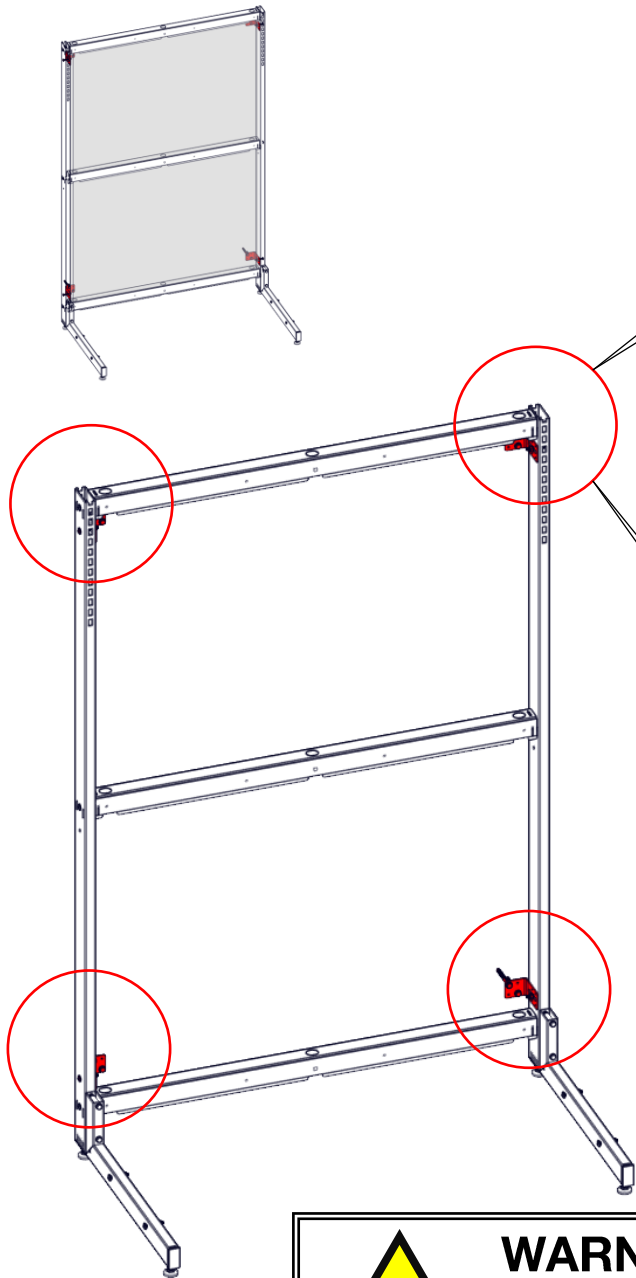


Installation

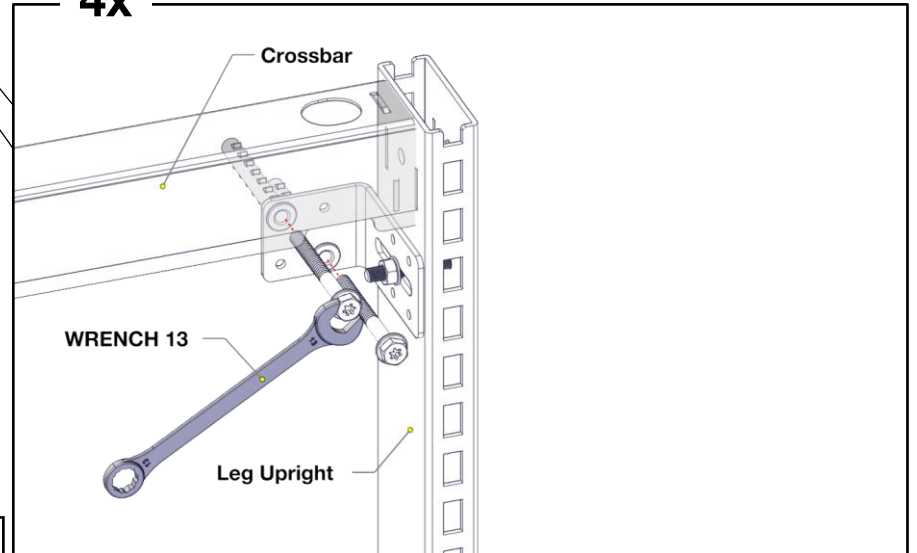


L/R

Installation

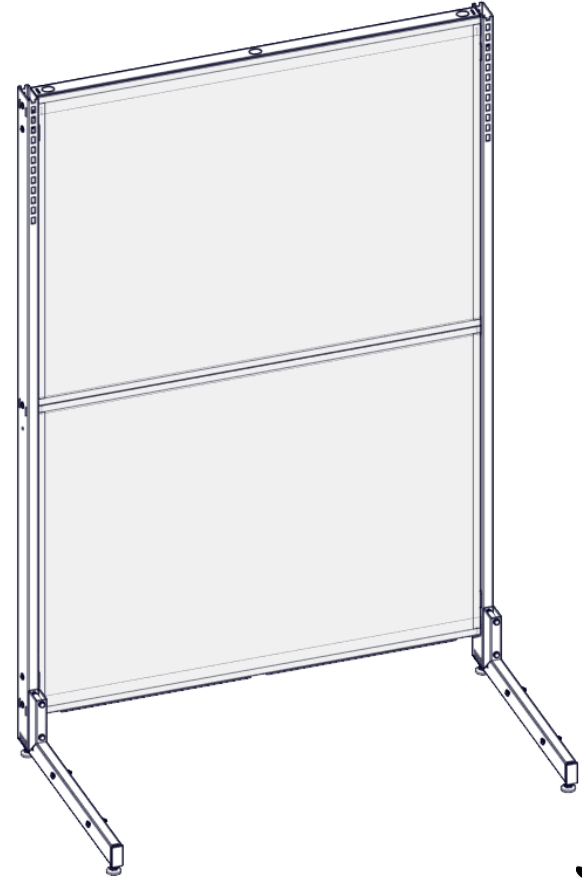
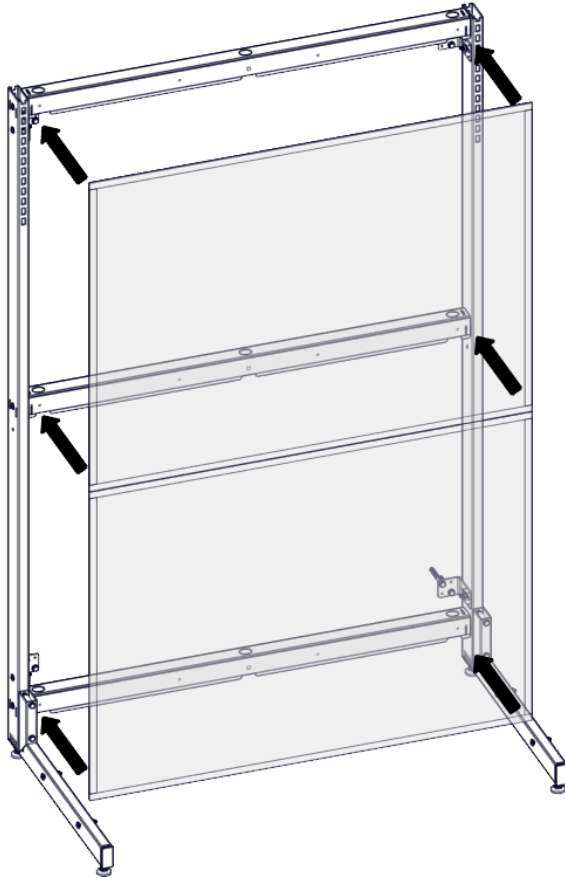
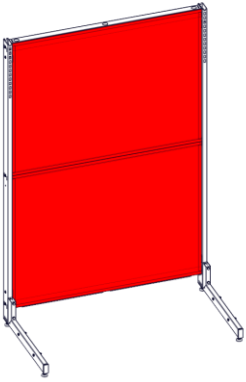


4x

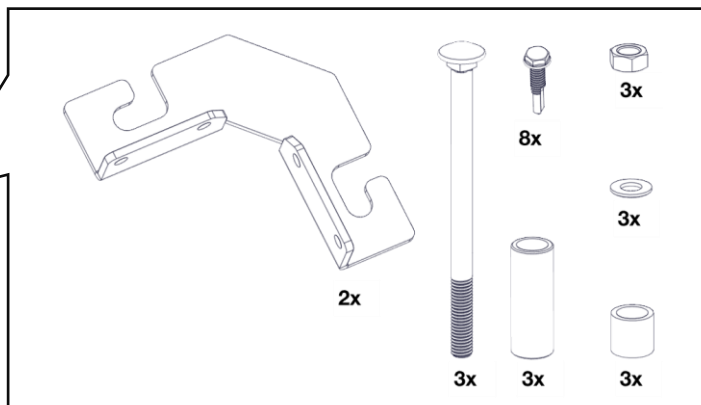
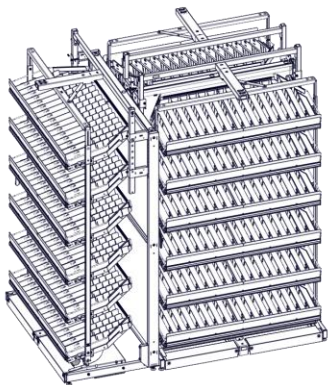


 **WARNING**
screws in the package
are to concrete

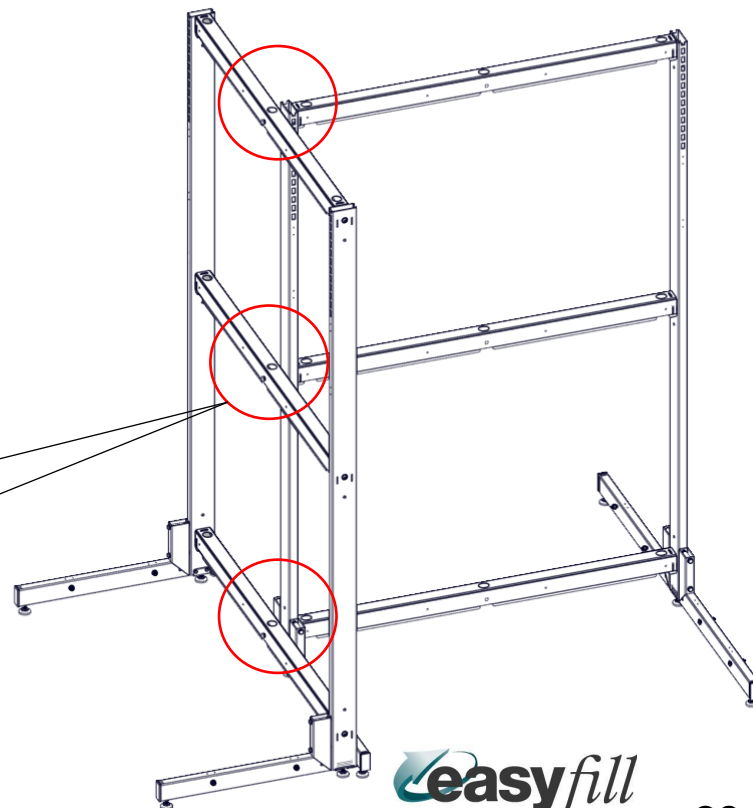
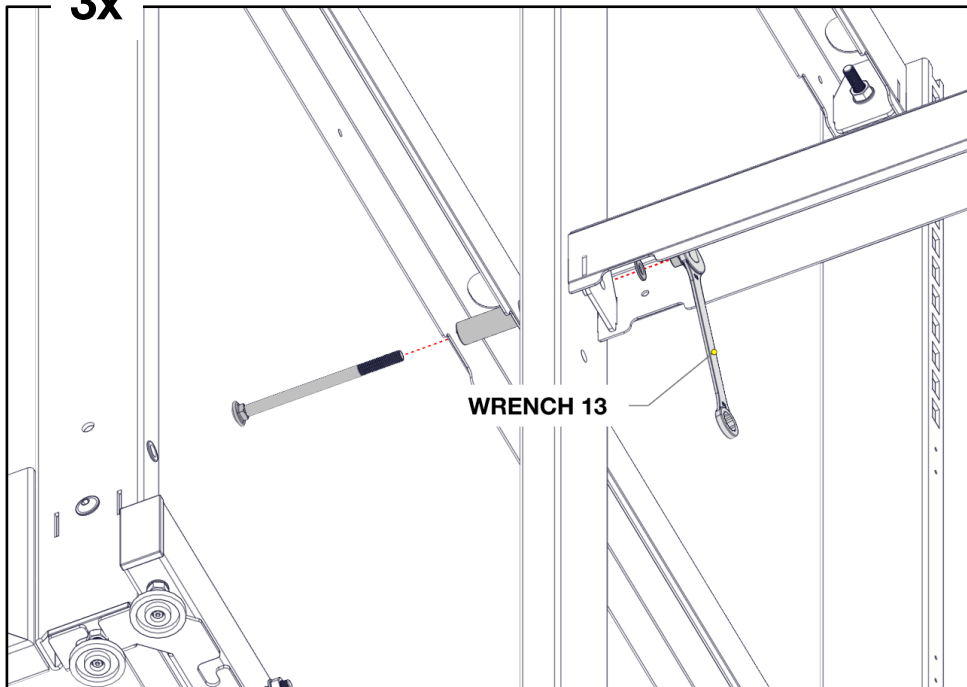
Installation



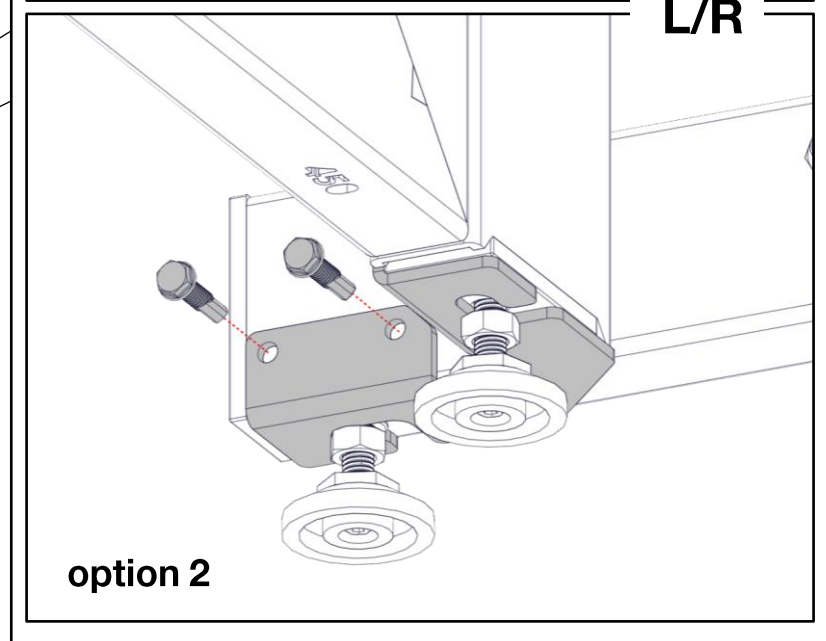
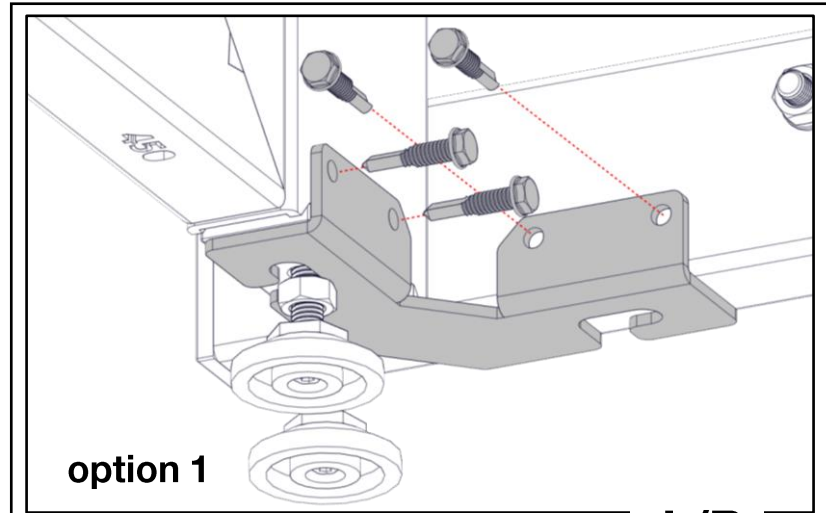
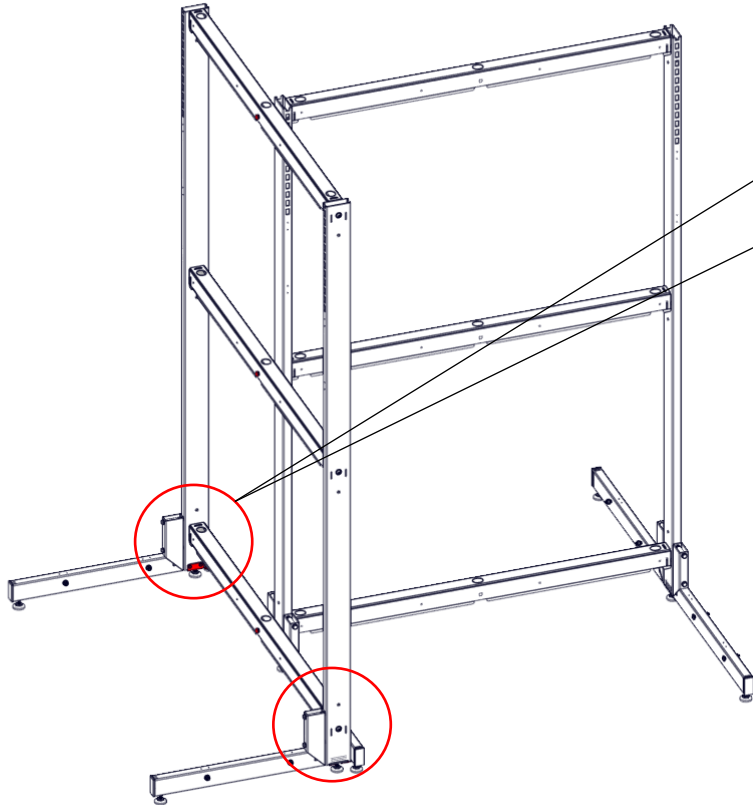
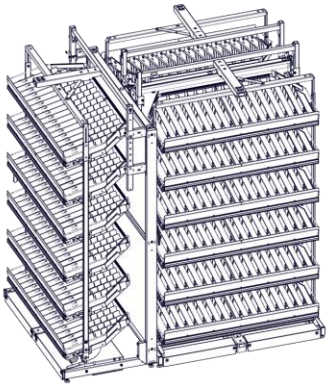
Gondola END Installation



3x



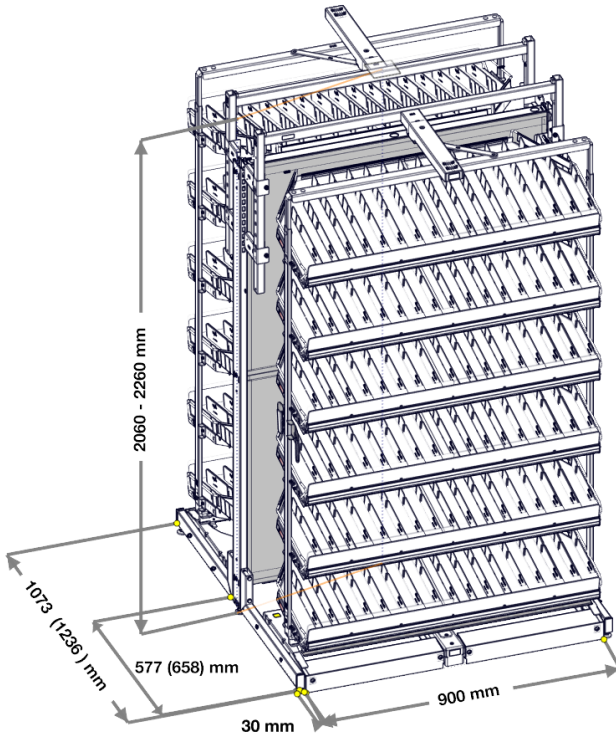
Gondola END Installation



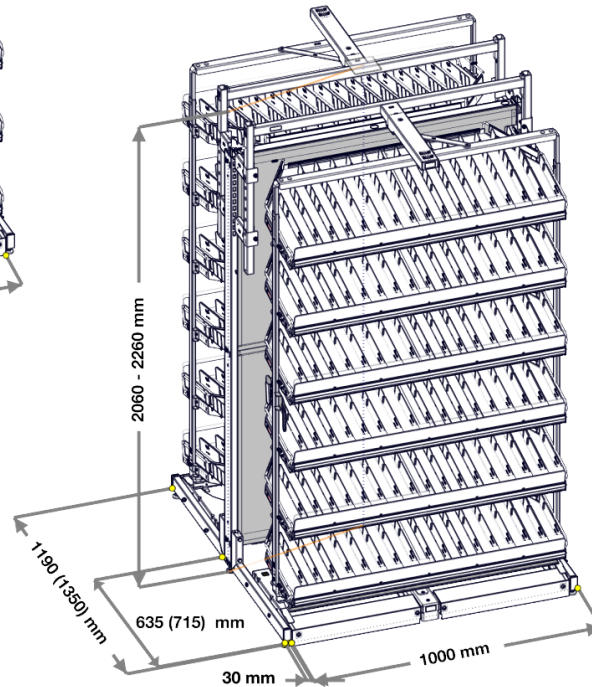
TurnLoader™ AMBIENT **EASYFILL**

Measurement TL™ AMBIENT **EASYFILL**

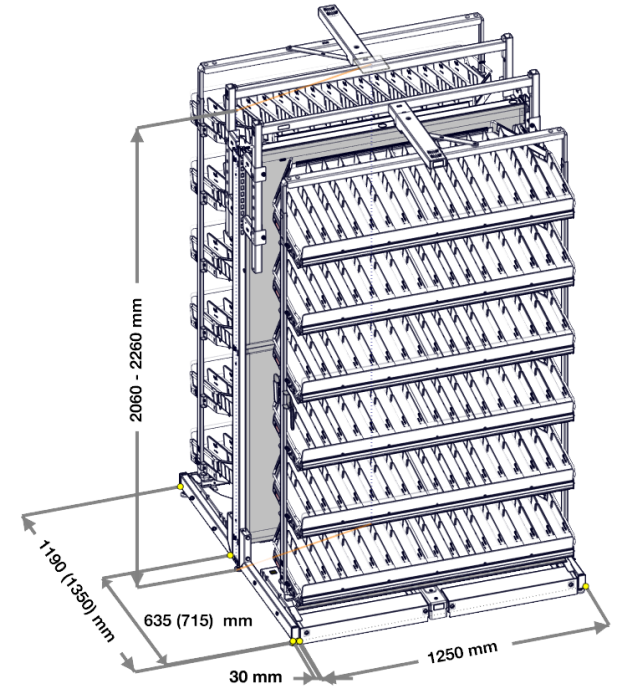
TL™ AMBIENT 900/450(550)




TL™ AMBIENT 1000/450(550)

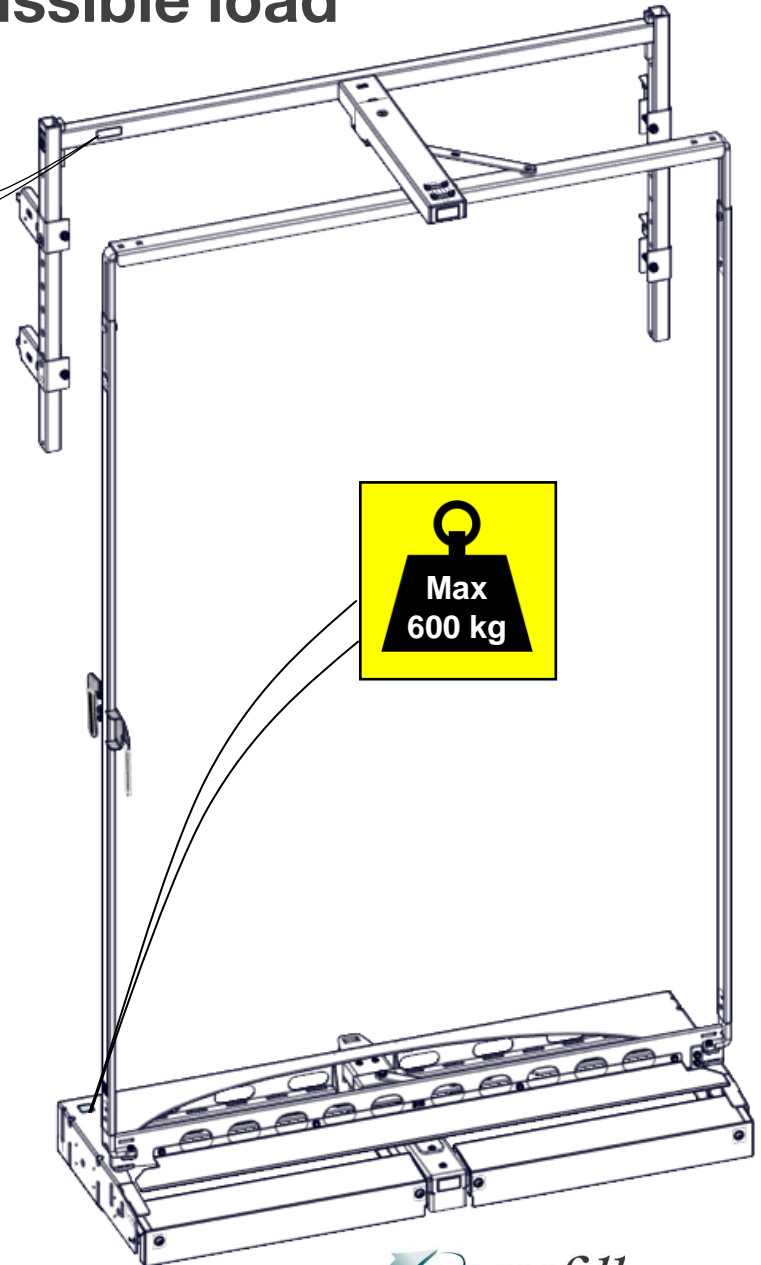
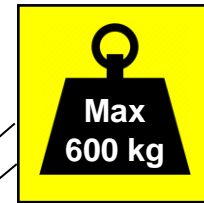
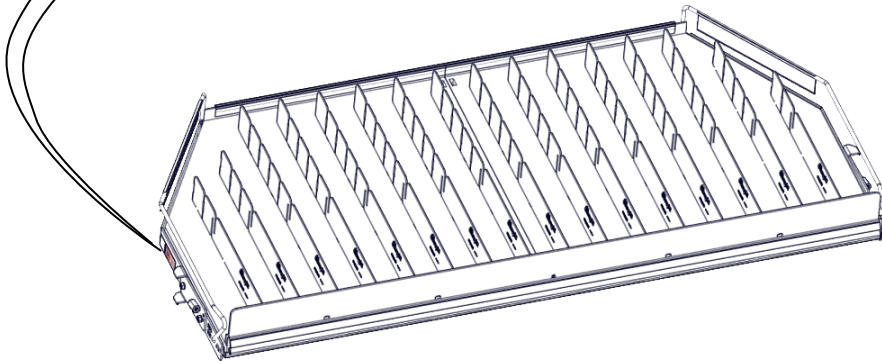
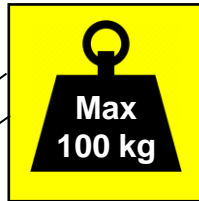


TL™ AMBIENT 1250/450(550)

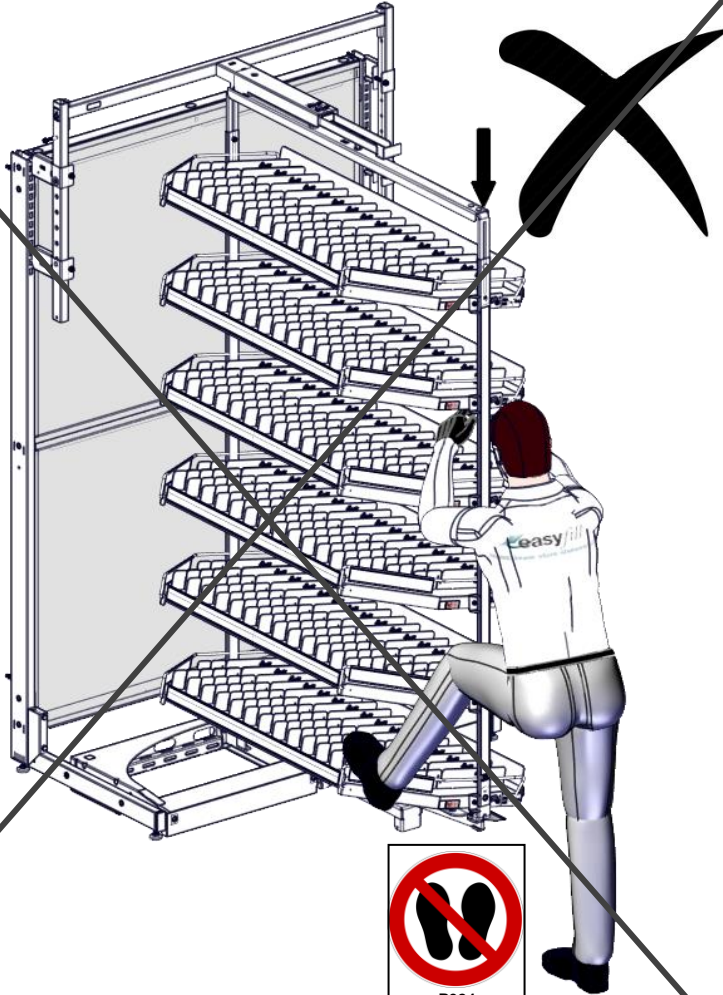


Maximum permissible load

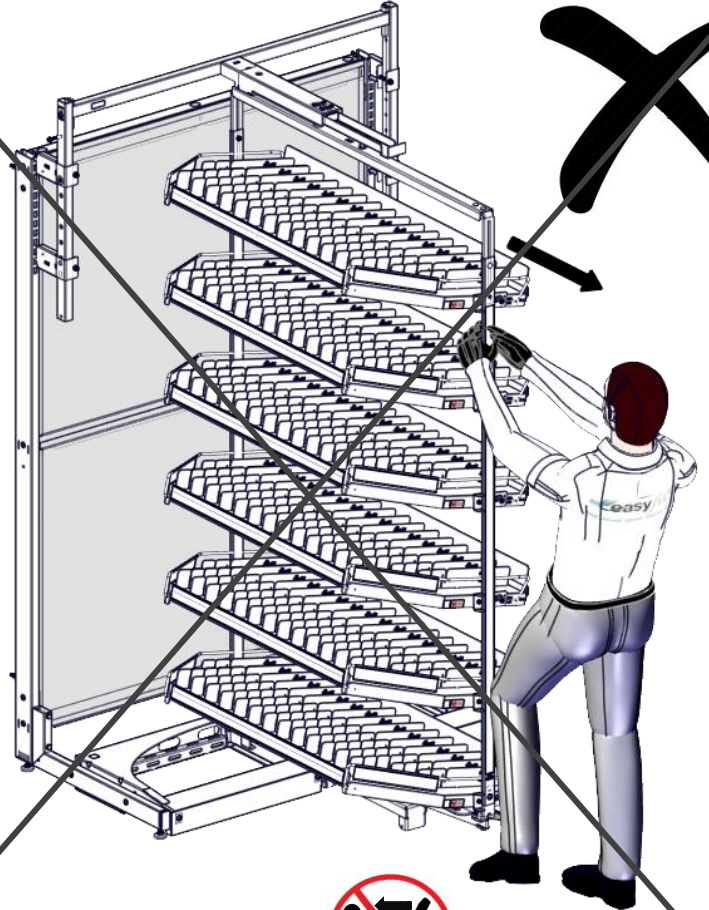

Clever store shelves
TurnLoader™ AMBIENT - 0205
Production date : 11/2020



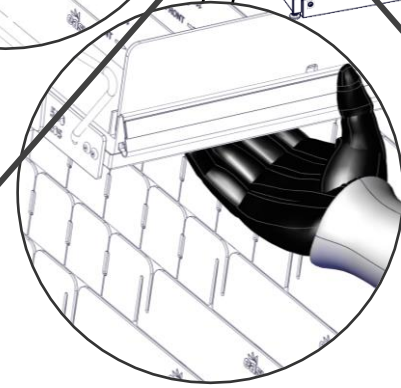
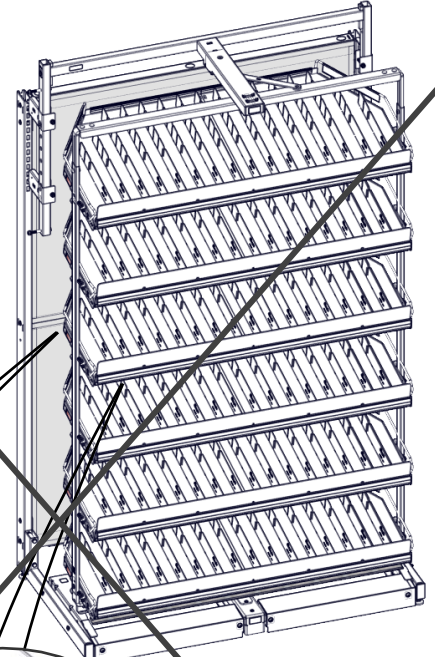
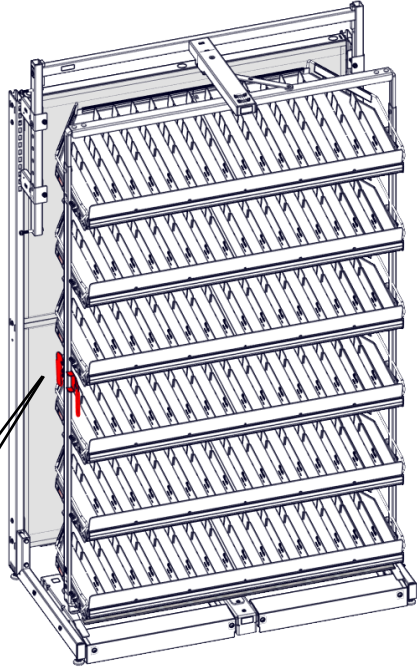
! WARNING !



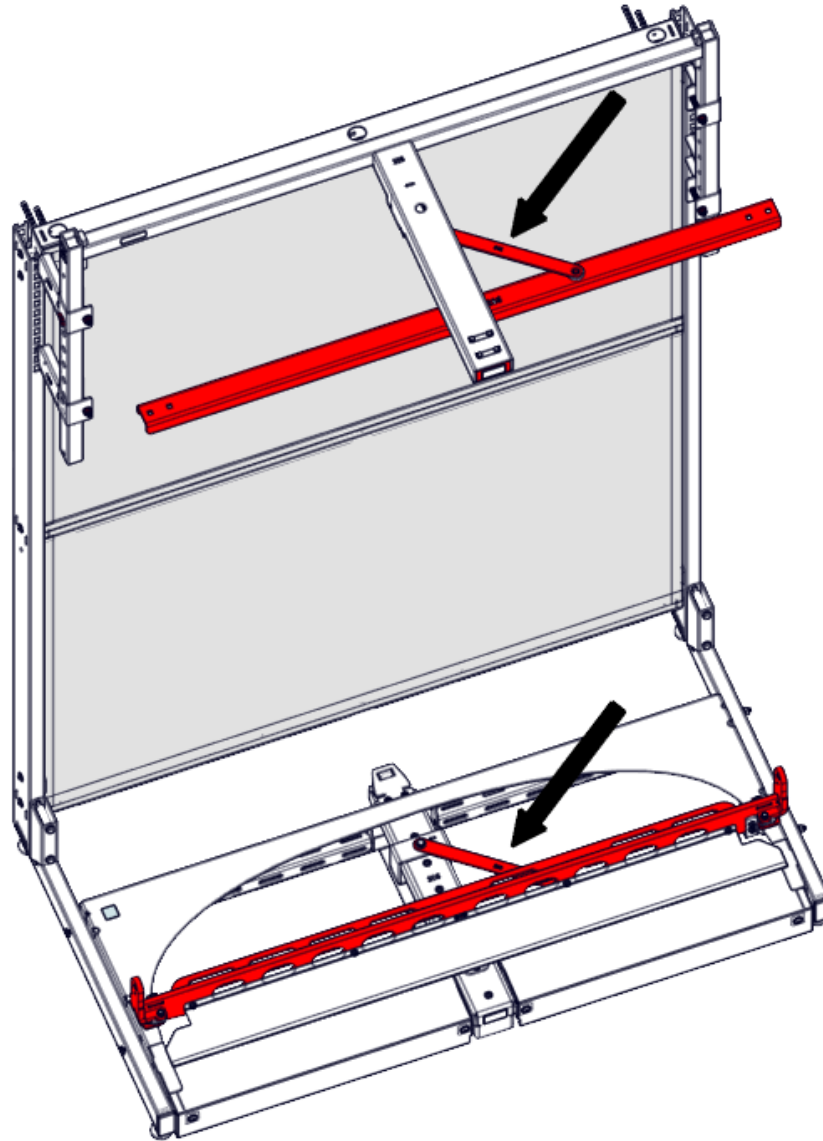
P024
Do not walk
or stand here



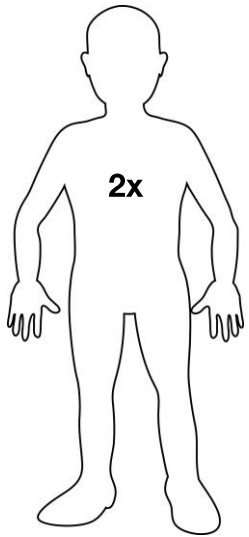
! WARNING !



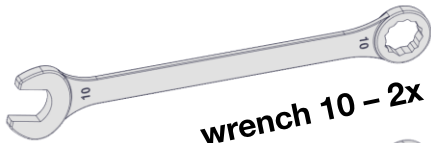
! BASE POSITION !



Installation



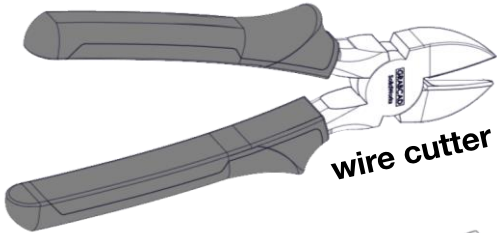
allen key 5



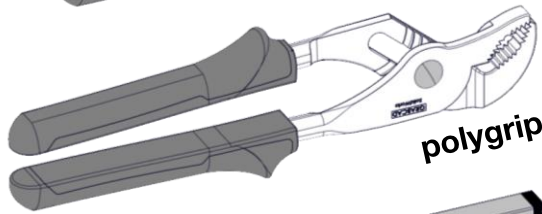
wrench 10 - 2x



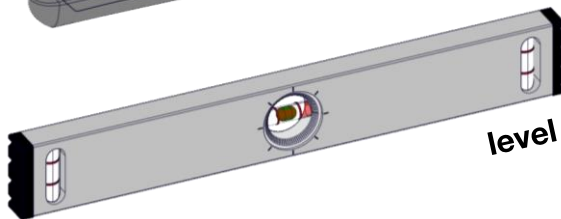
wrench 13 - 2x



wire cutter



polygrip



level



screwdriver, drill



pencil



screw bit 13 mm



screw bit 10 mm



screw bit 8 mm



measuring tape



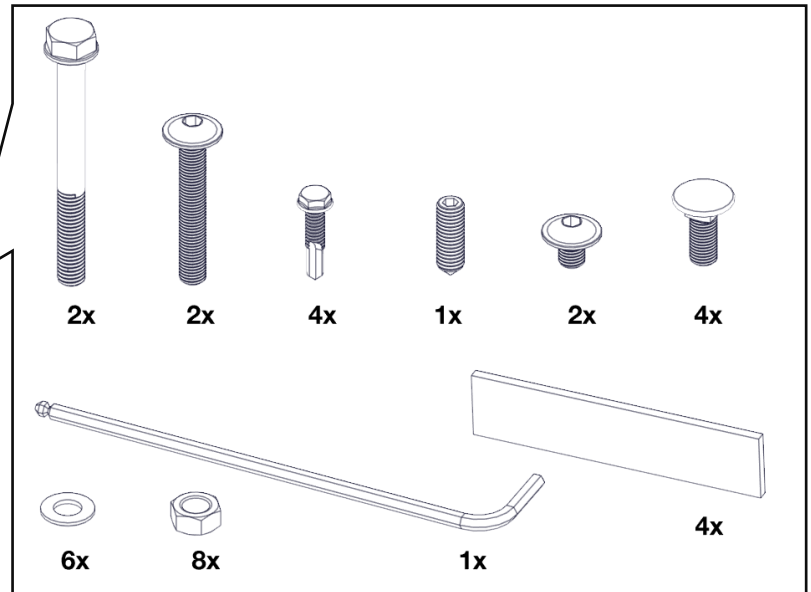
screw torx - TX20



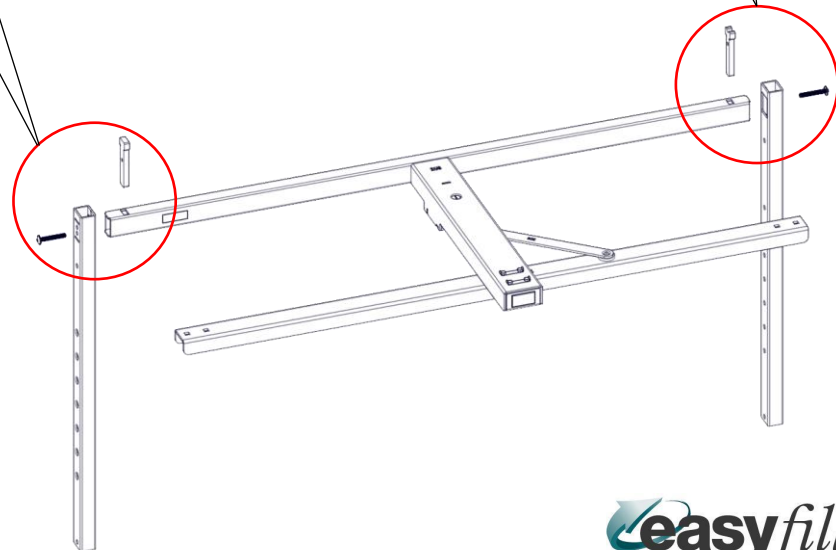
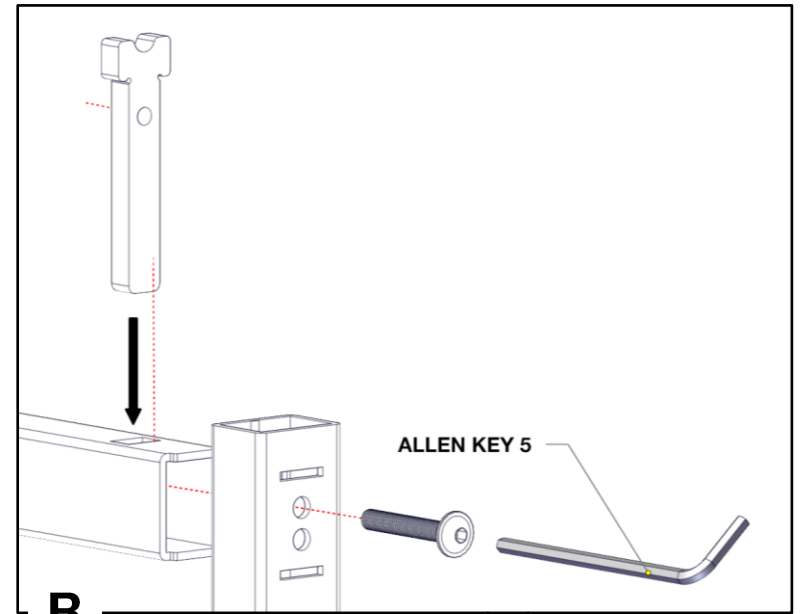
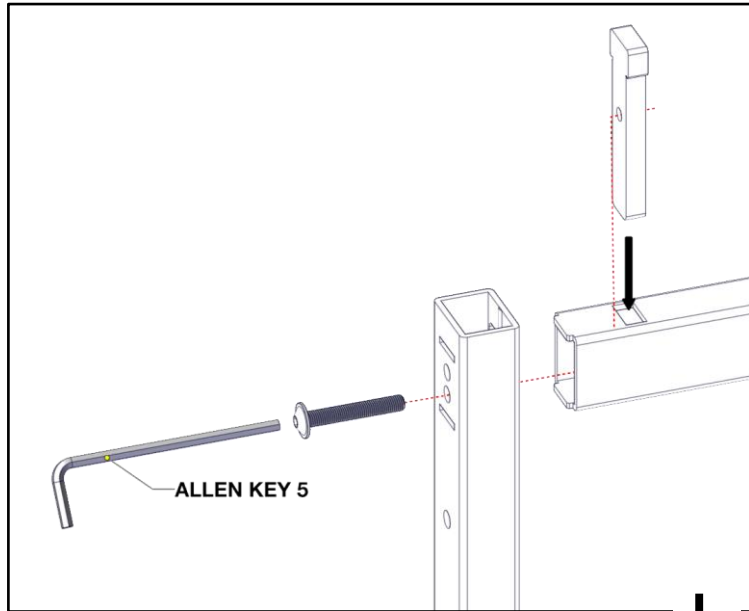
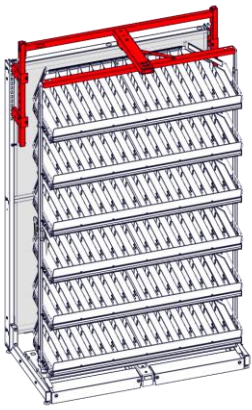
torque key - TX20



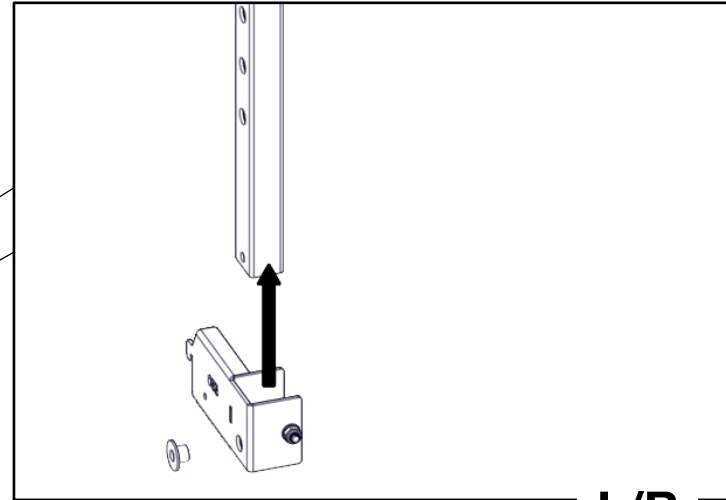
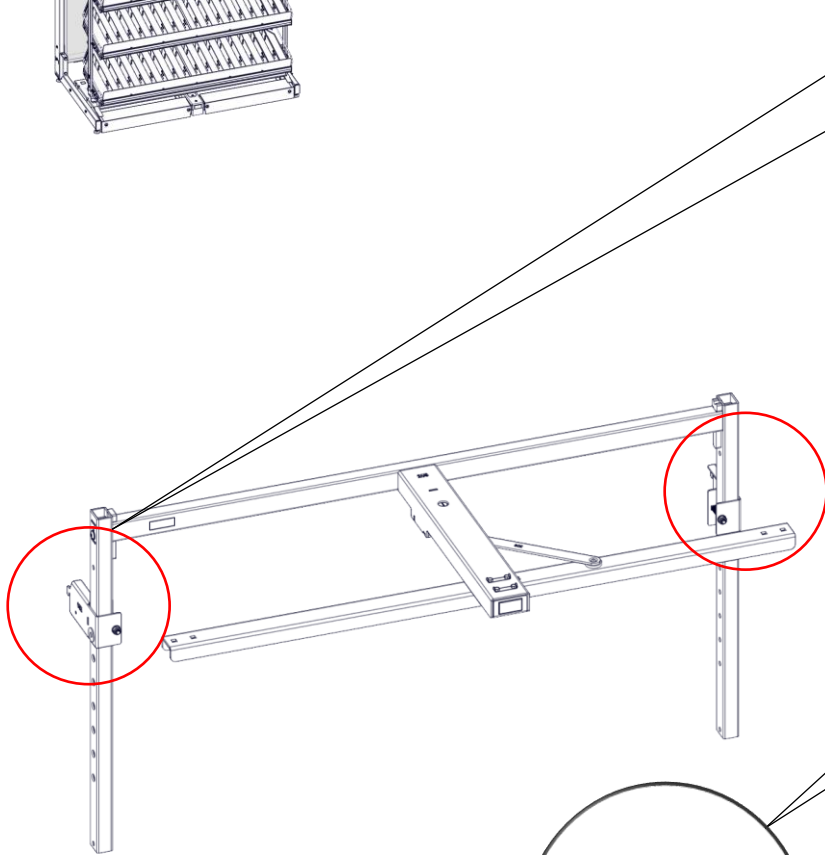
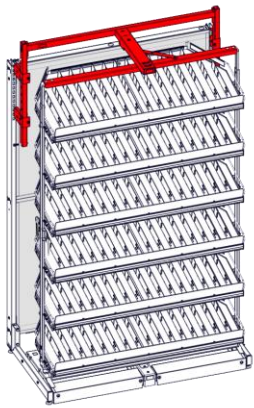
AMBIENT



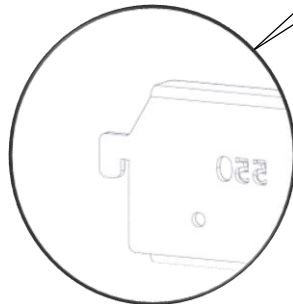
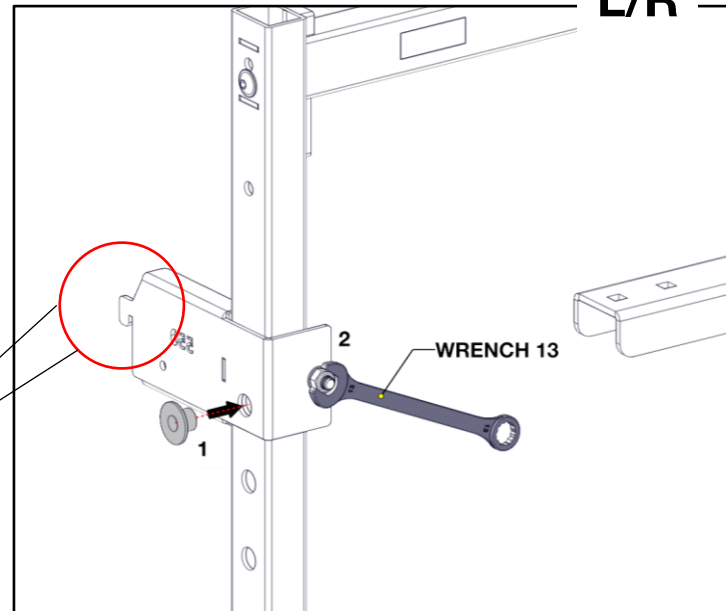
Installation



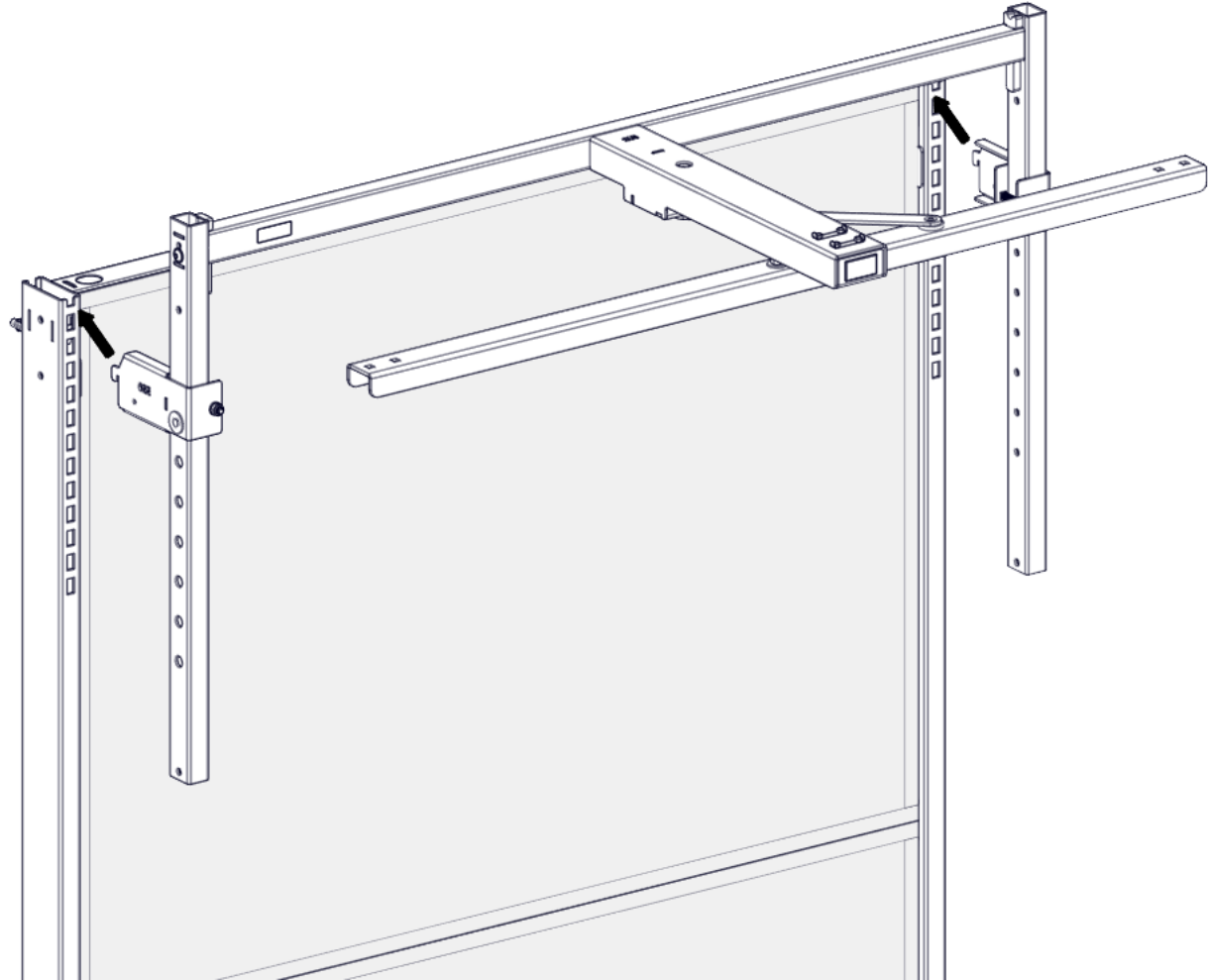
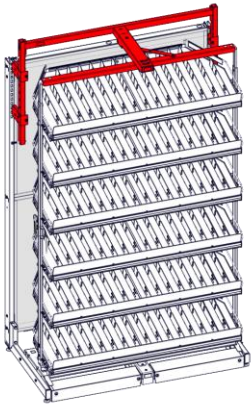
Installation



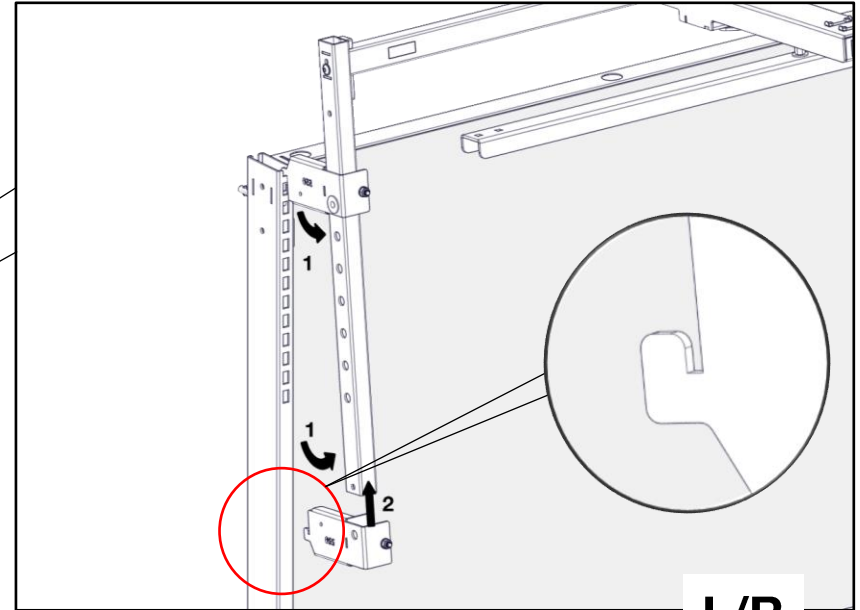
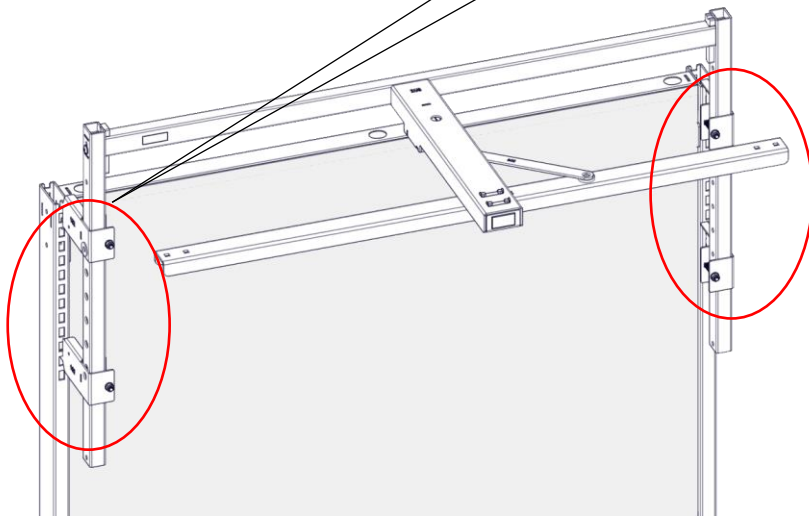
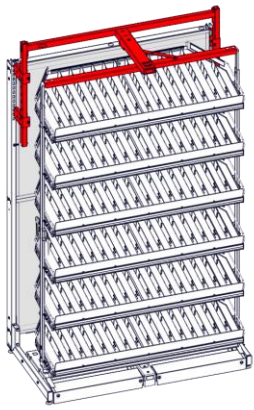
L/R



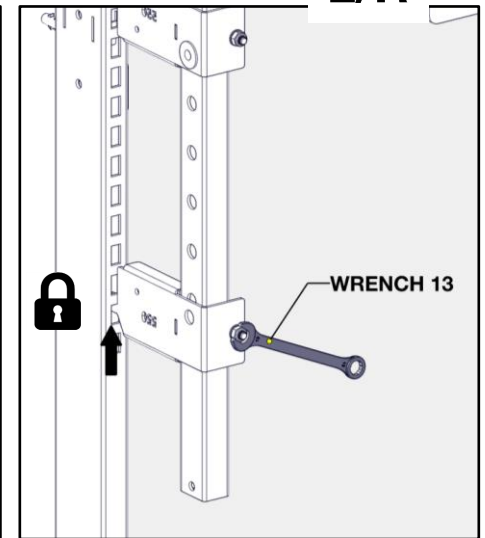
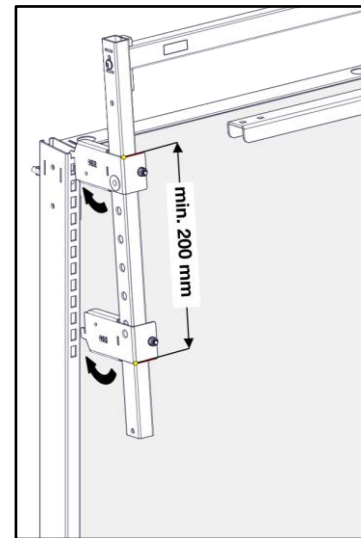
Installation



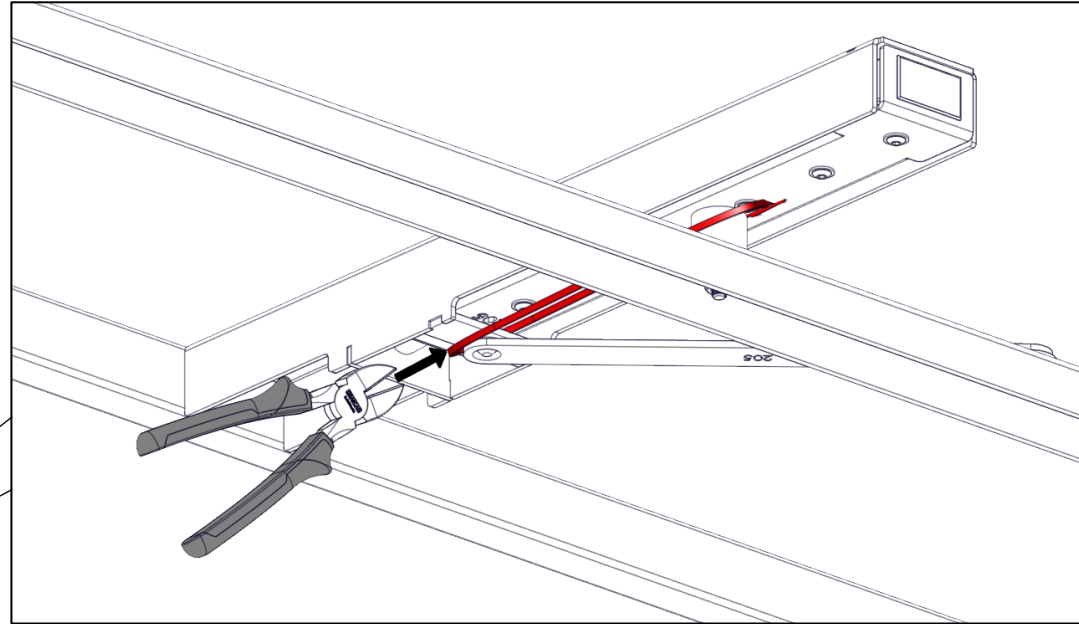
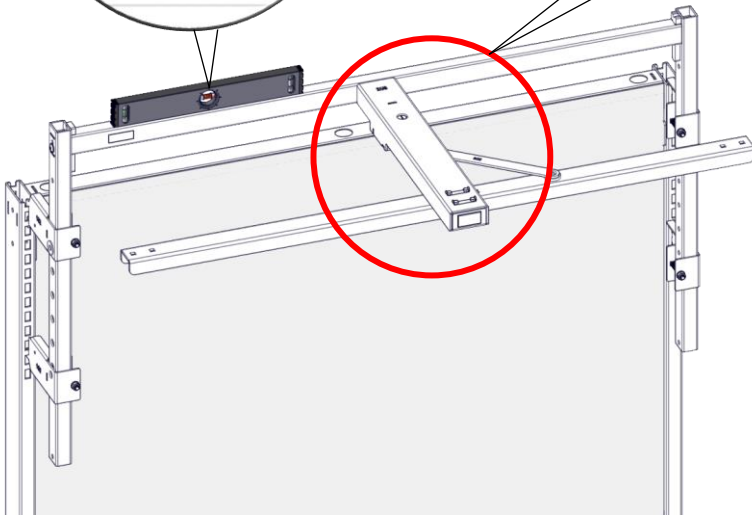
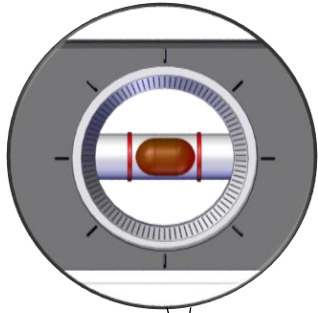
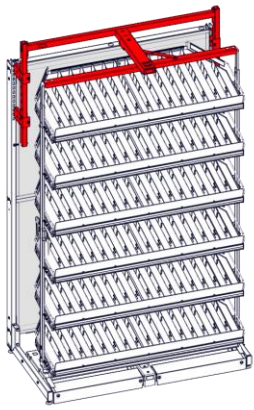
Installation



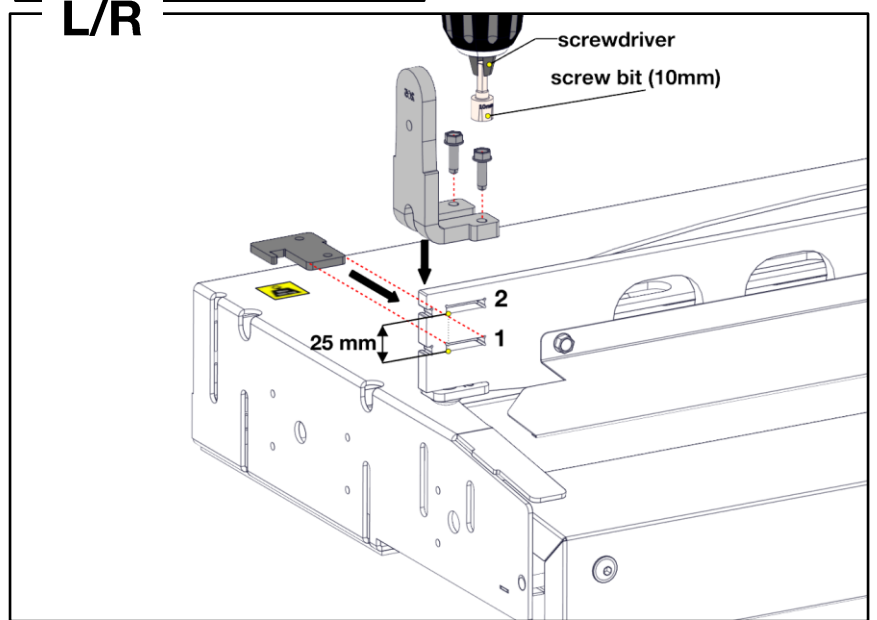
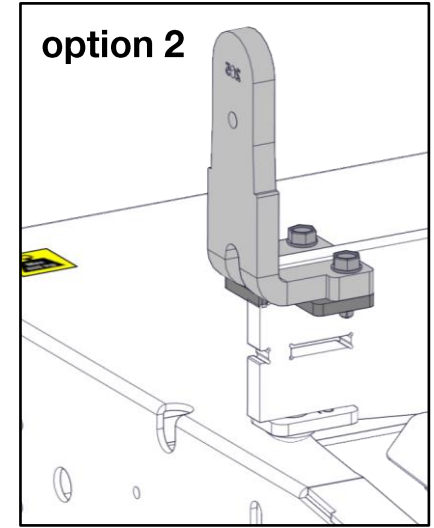
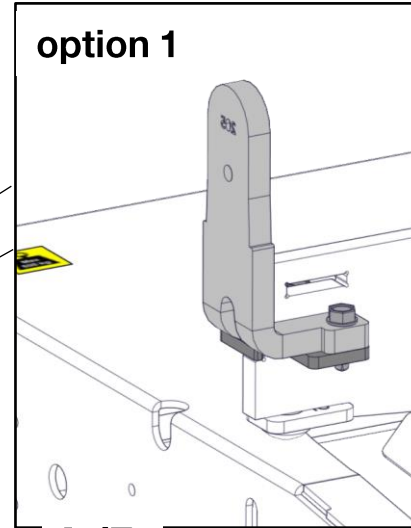
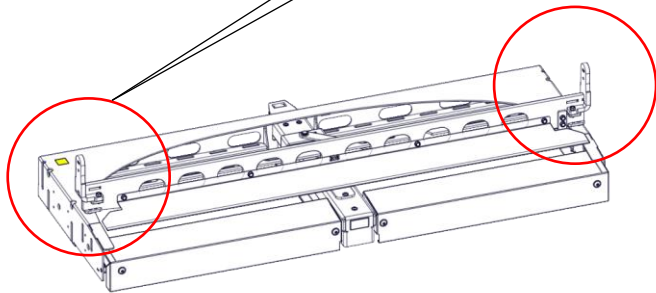
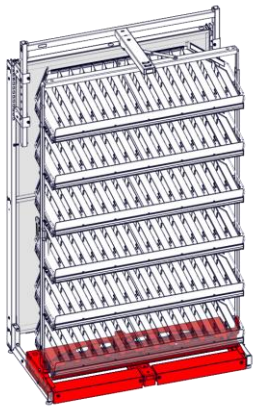
L/R



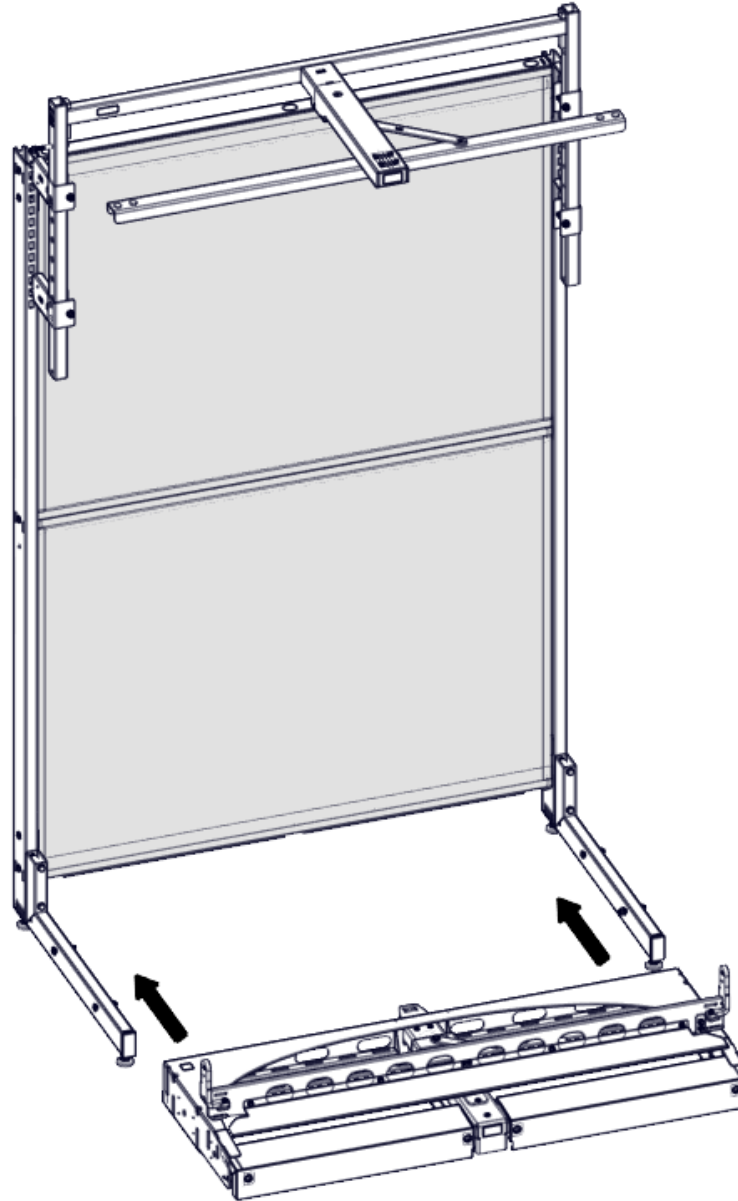
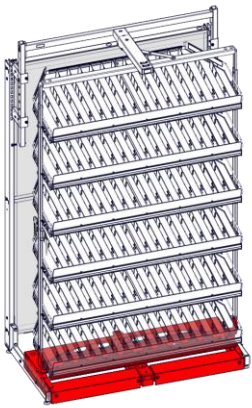
Installation



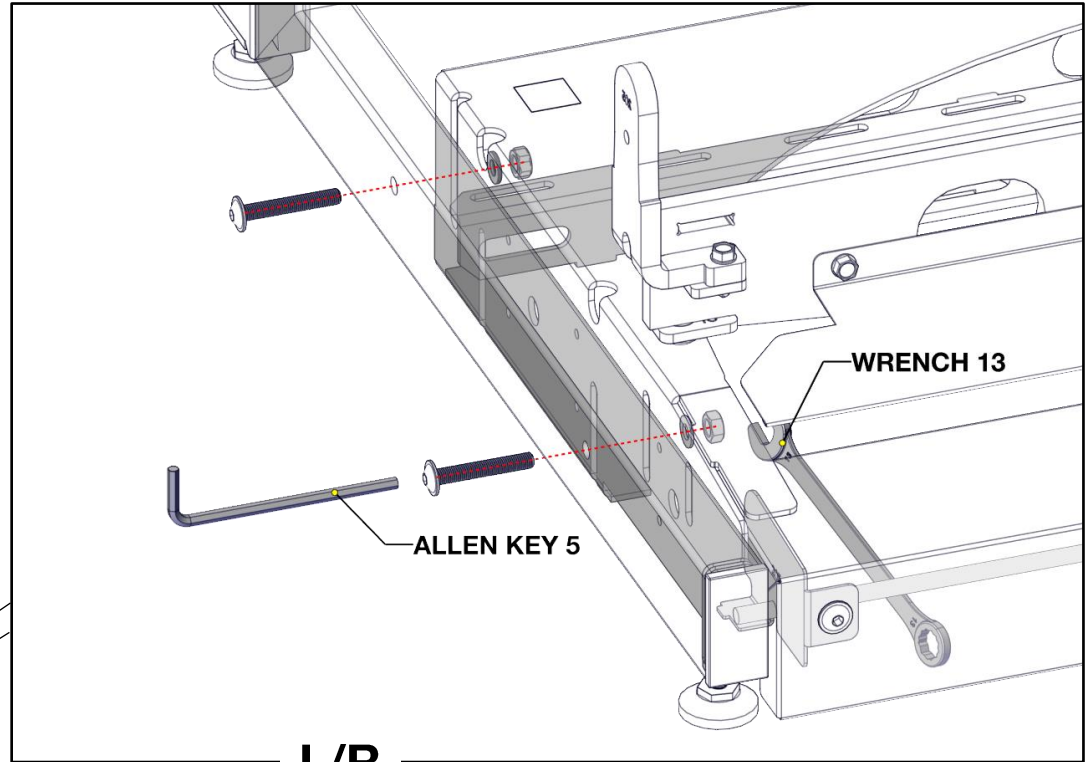
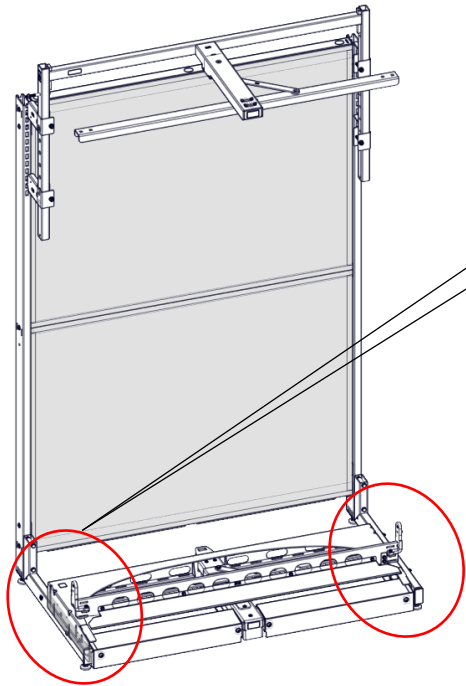
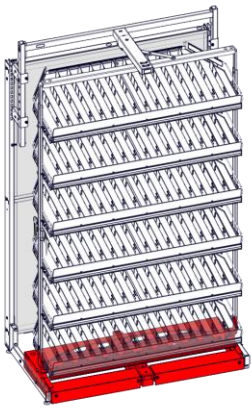
Installation



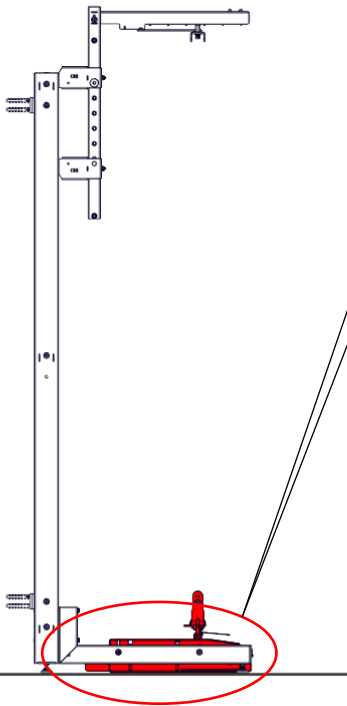
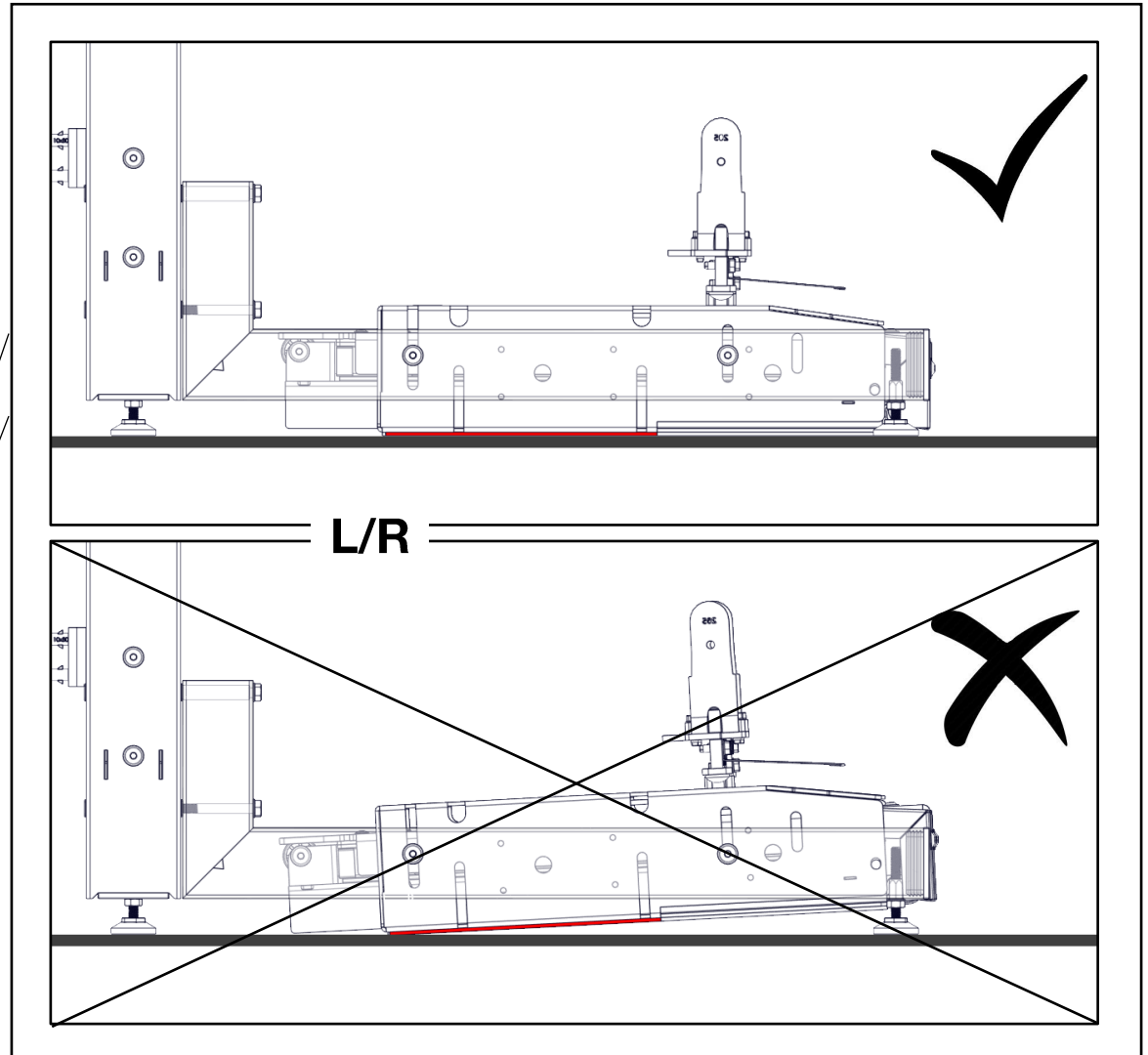
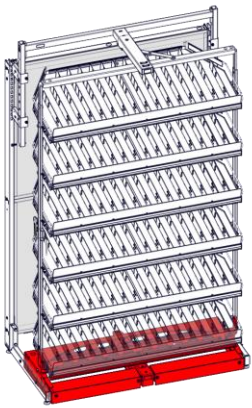
Installation



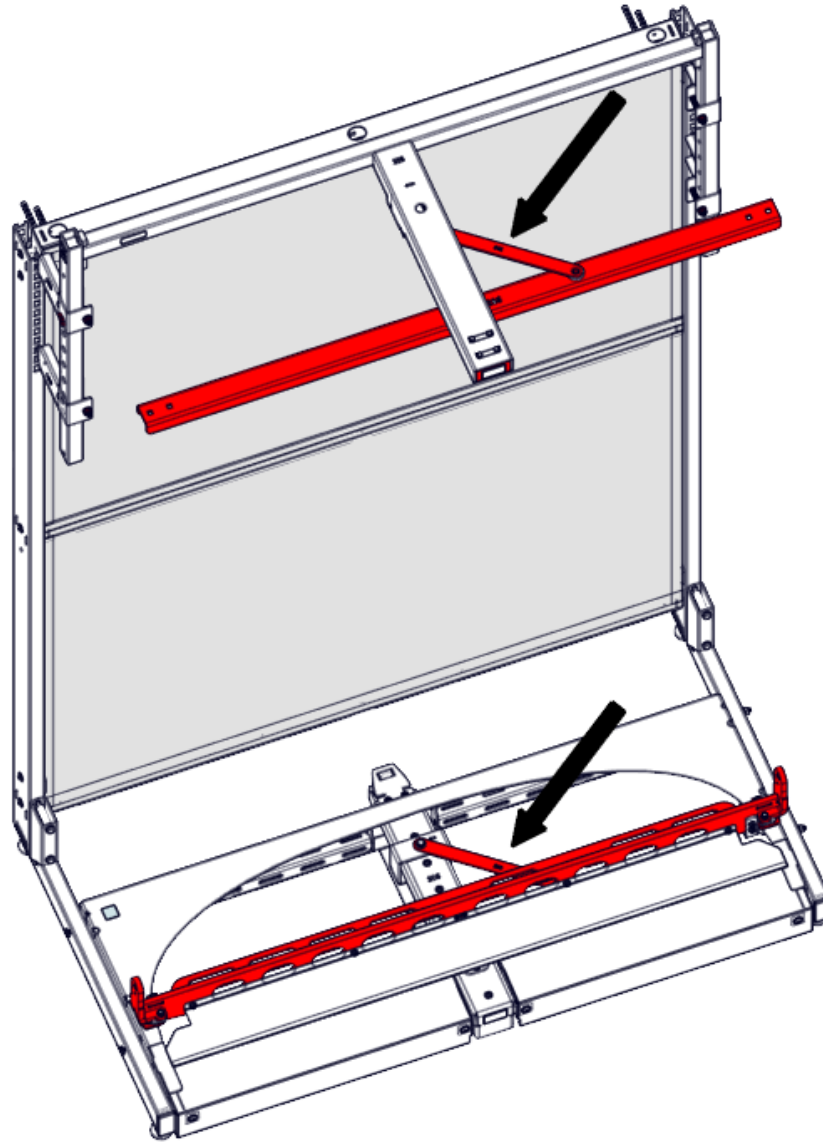
Installation



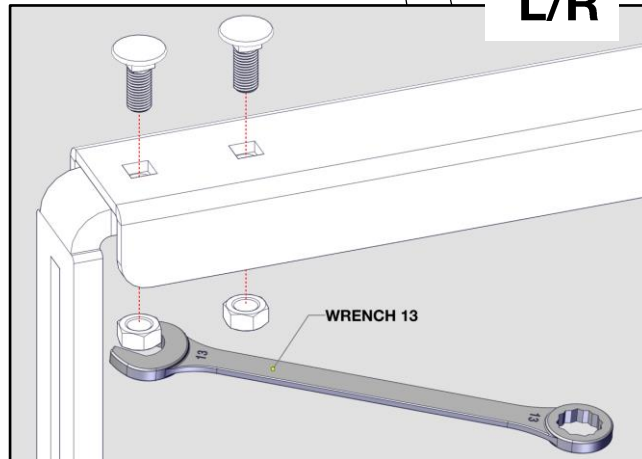
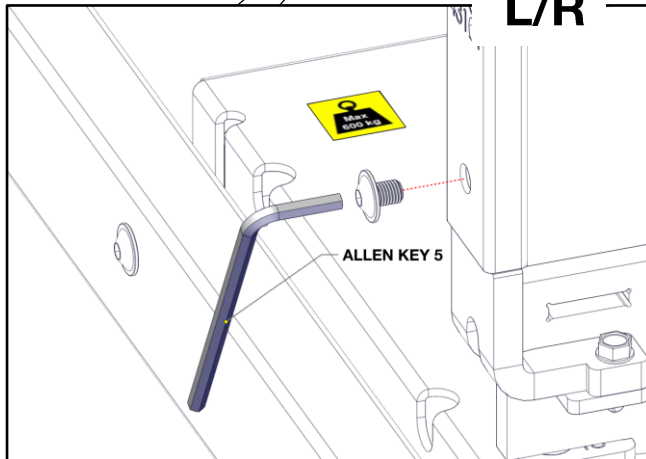
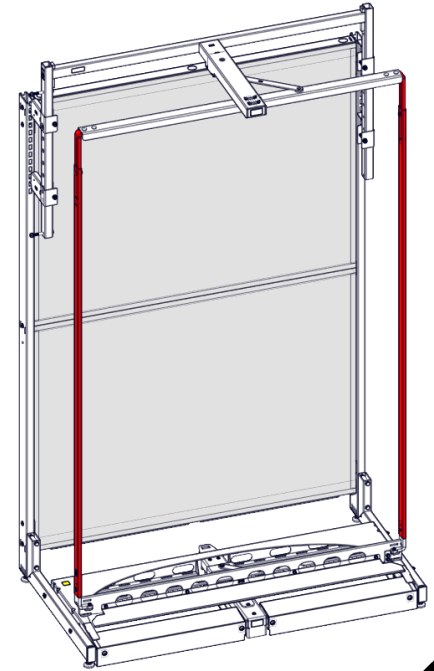
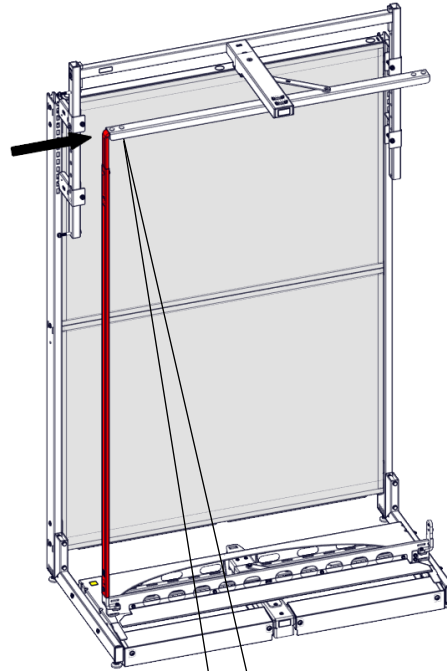
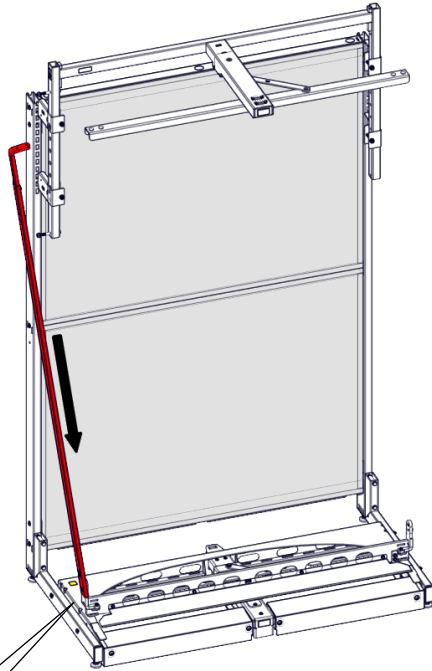
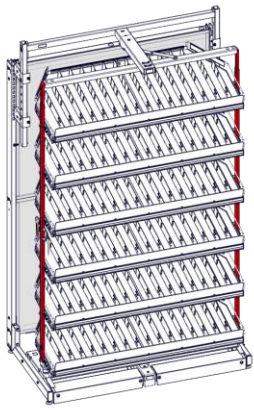
Installation



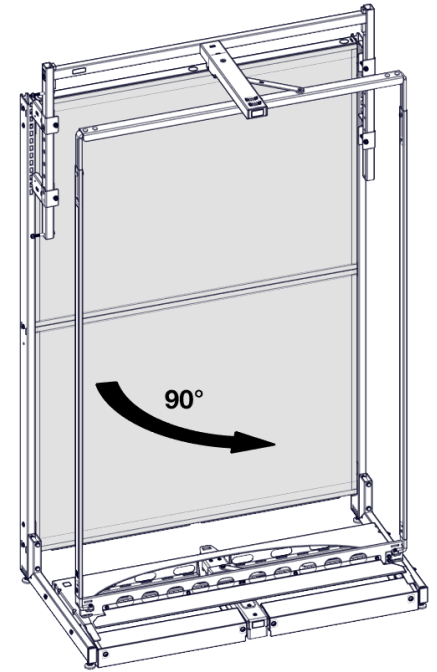
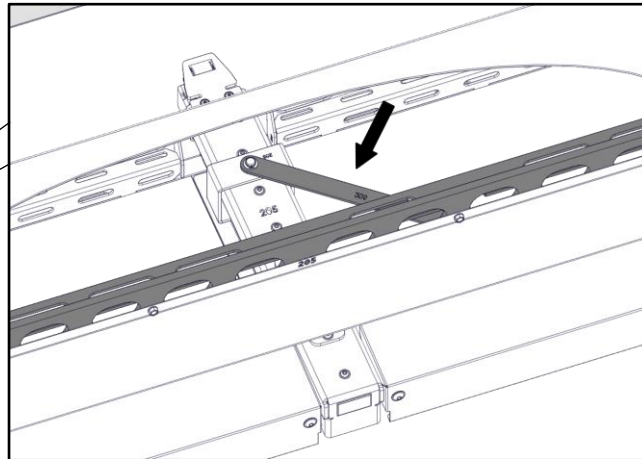
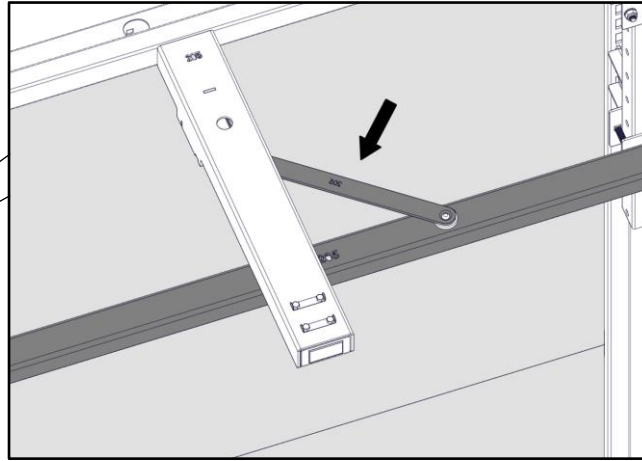
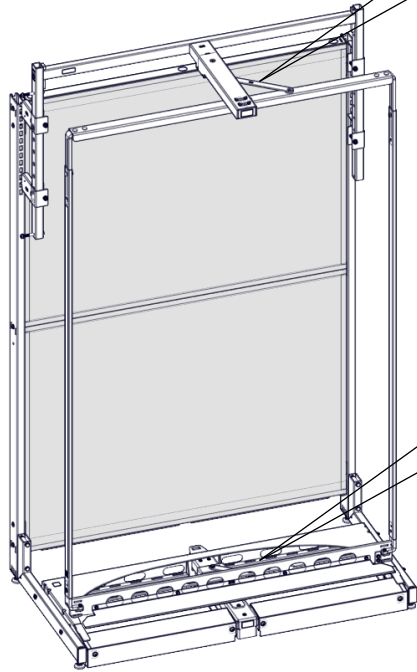
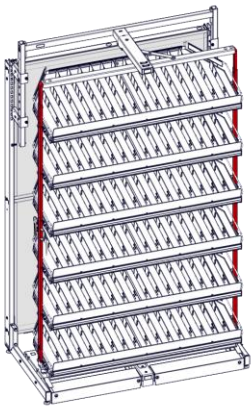
! BASE POSITION !



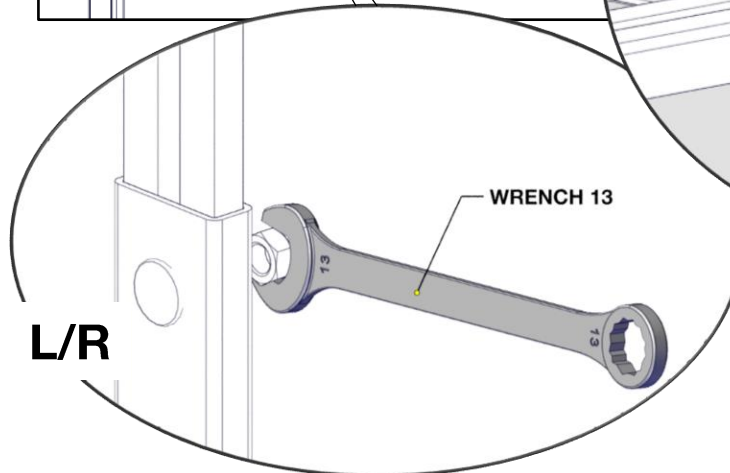
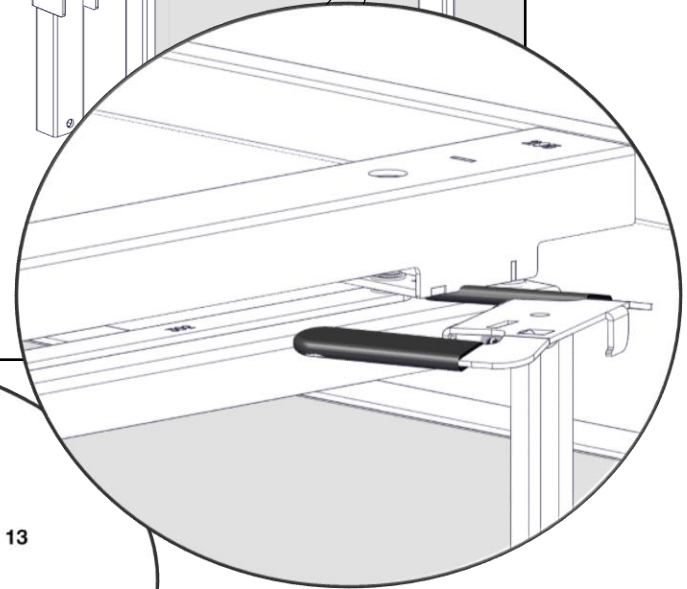
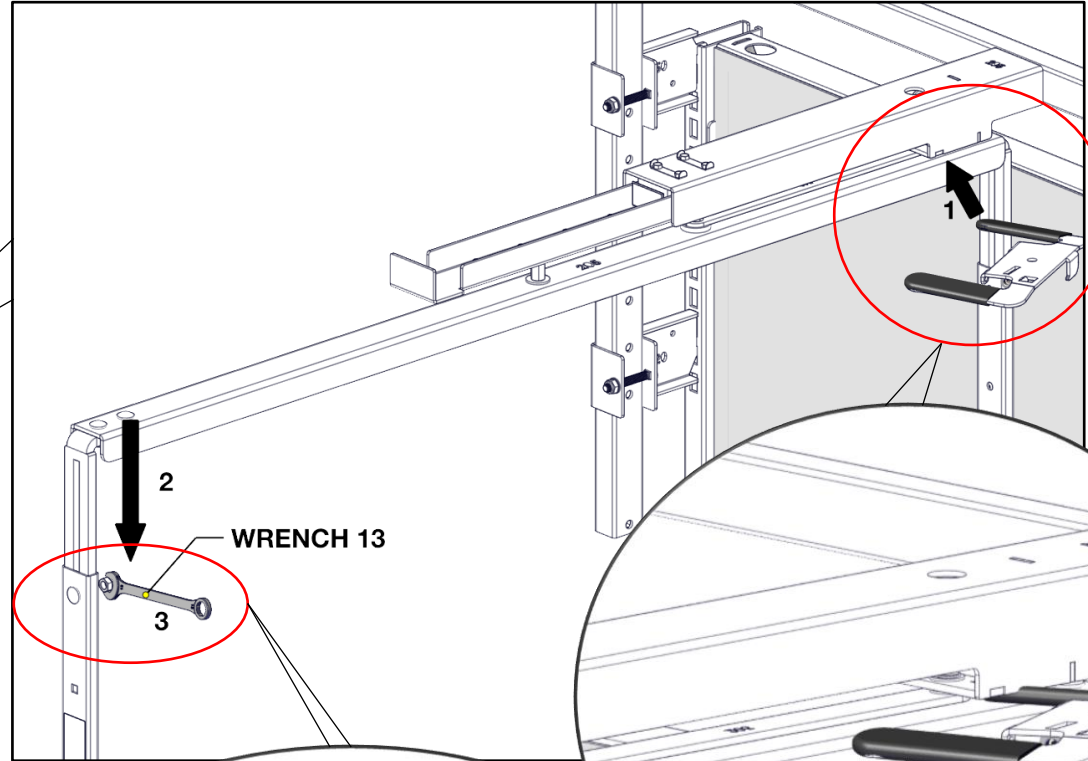
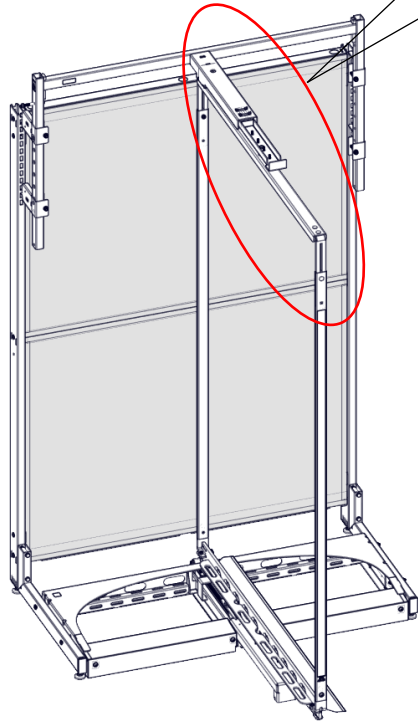
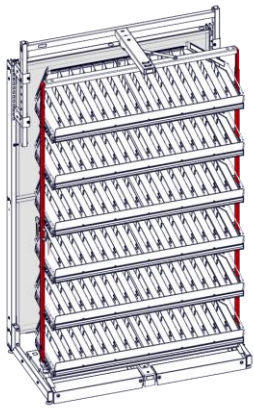
Installation



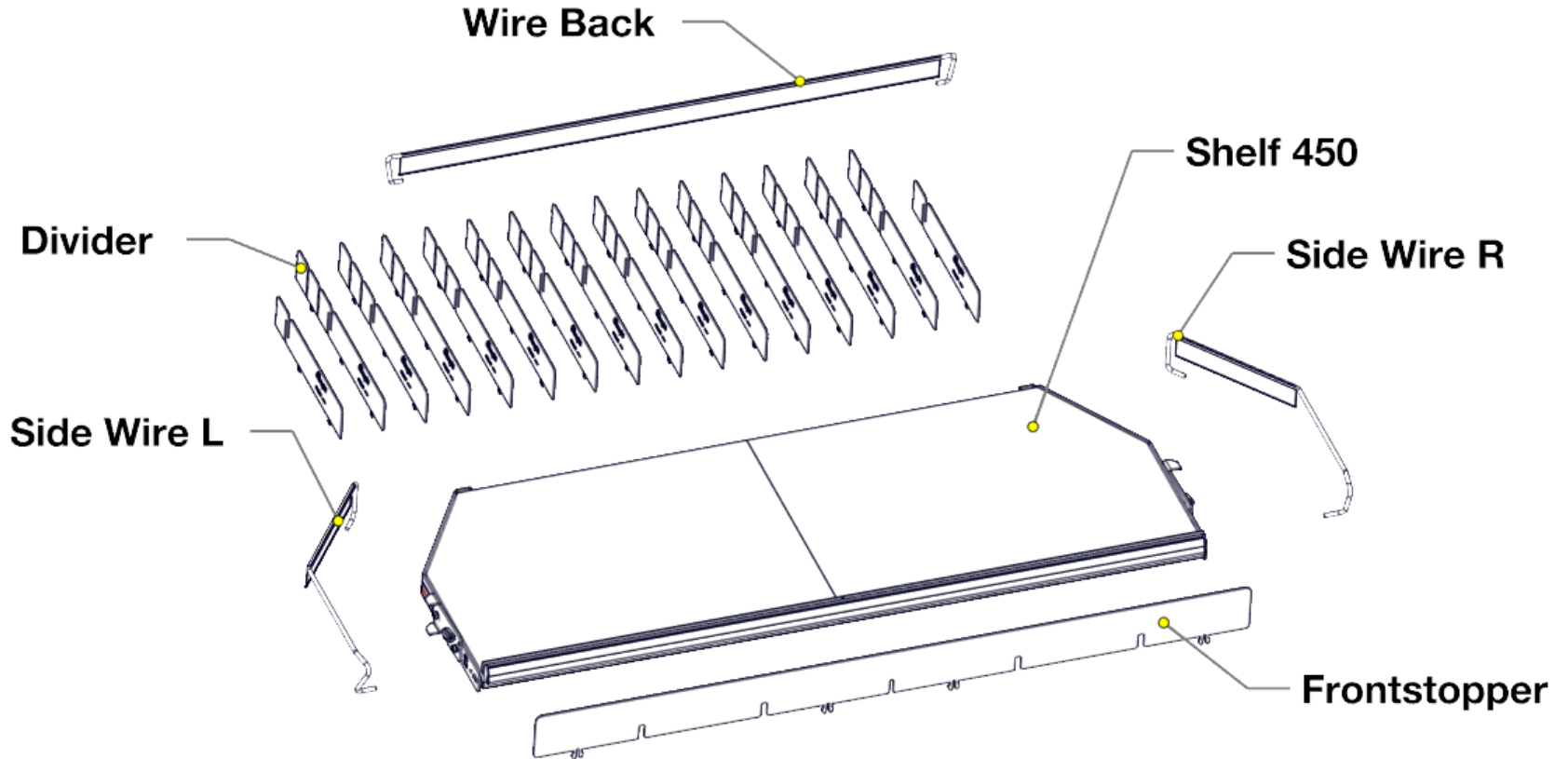
Installation



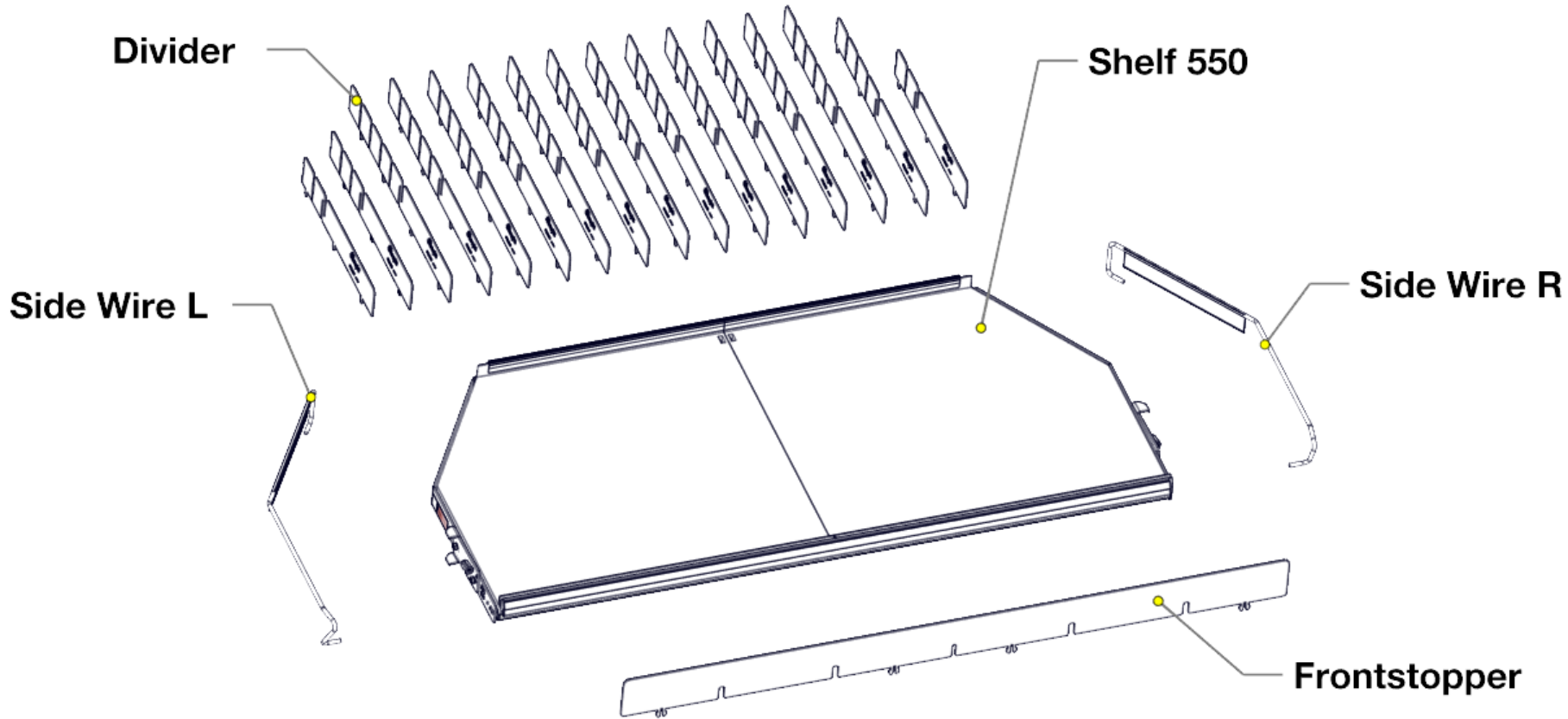
Installation

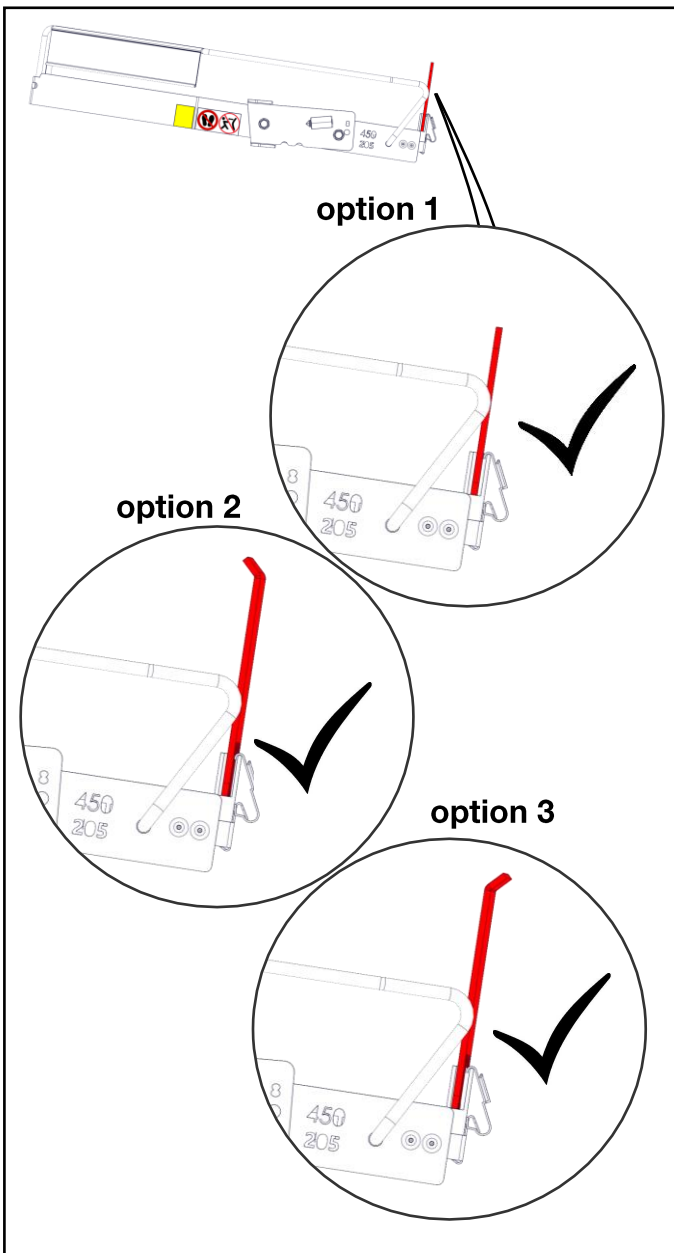
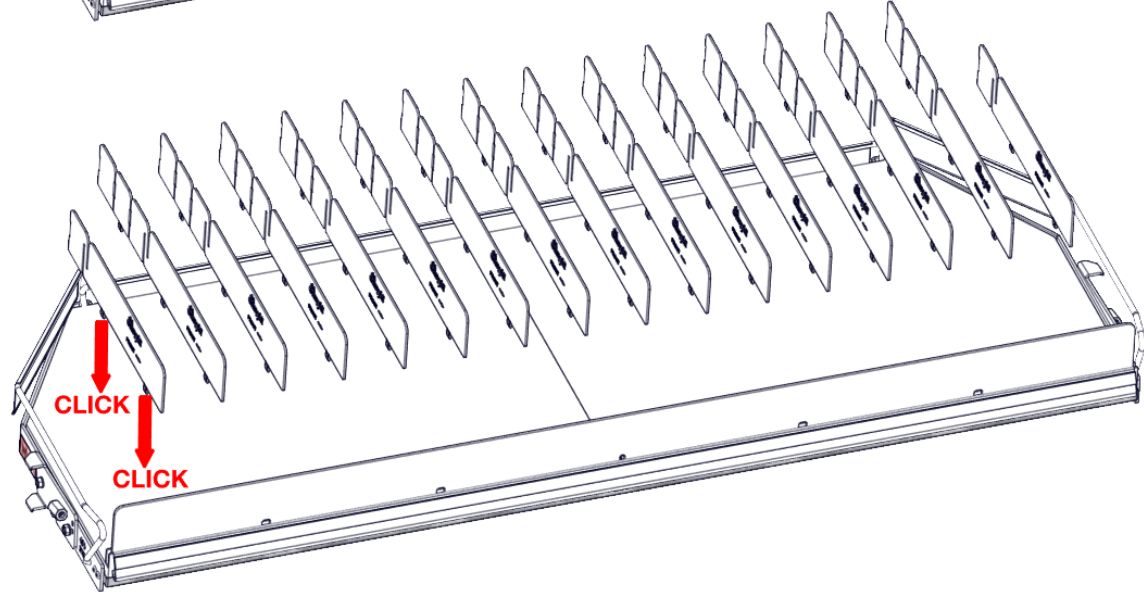
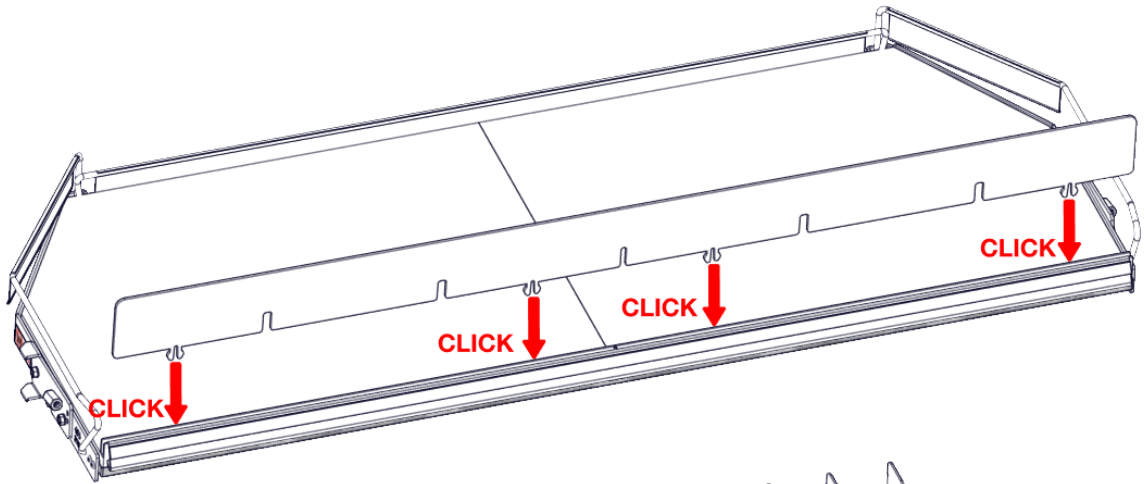


SET SHELF 450

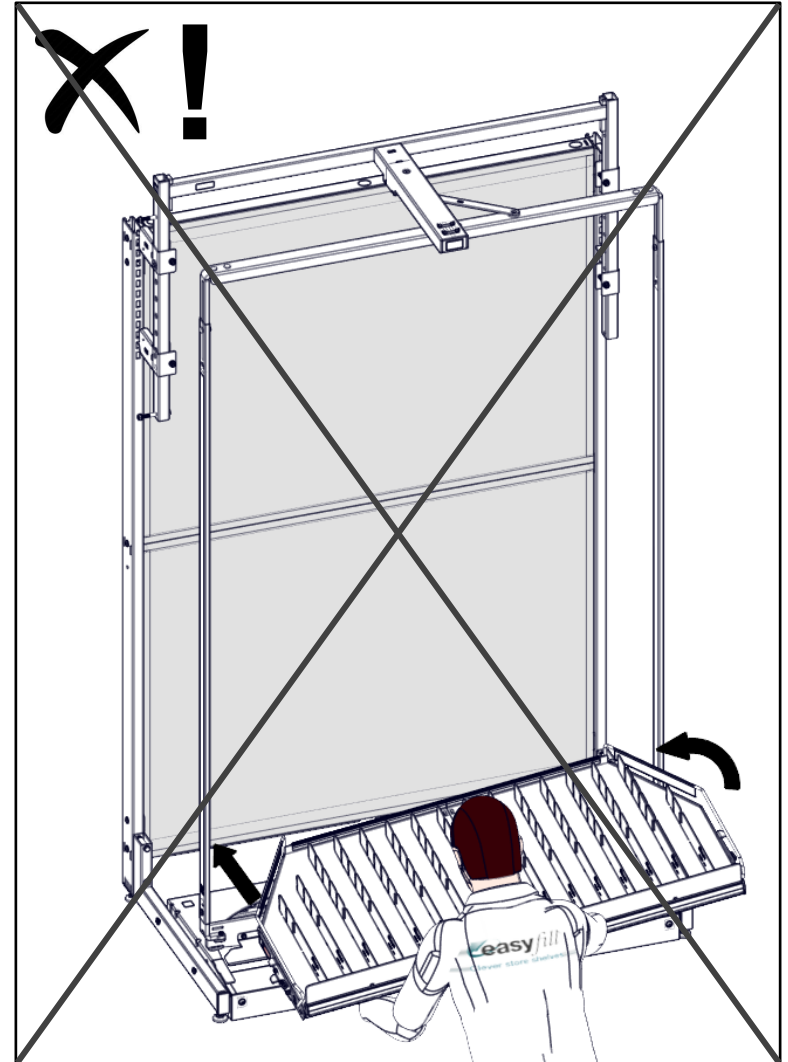
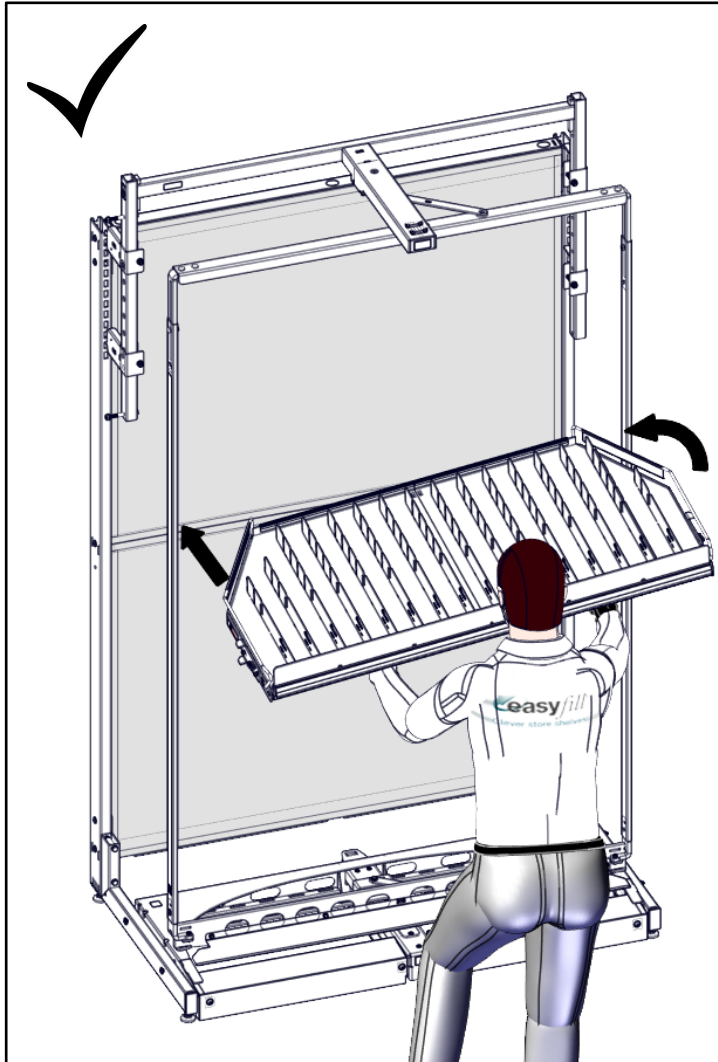
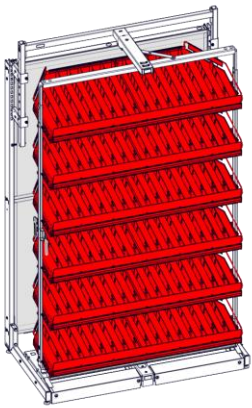


SET SHELF 550

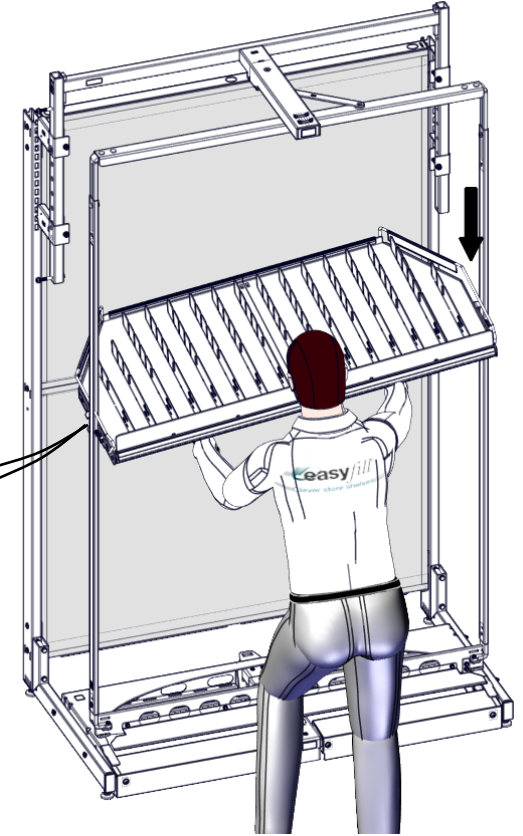
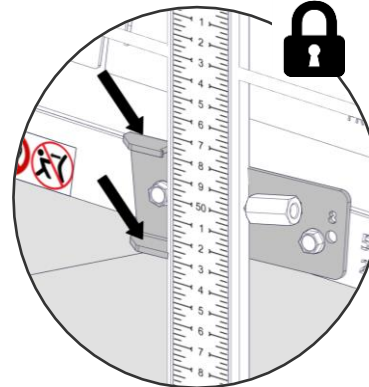
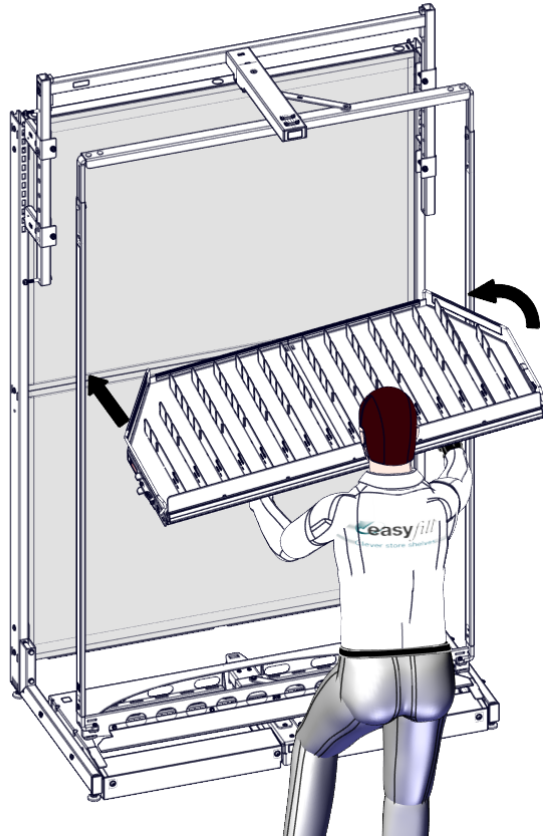
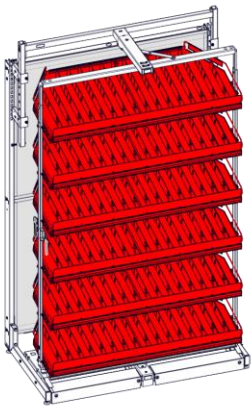




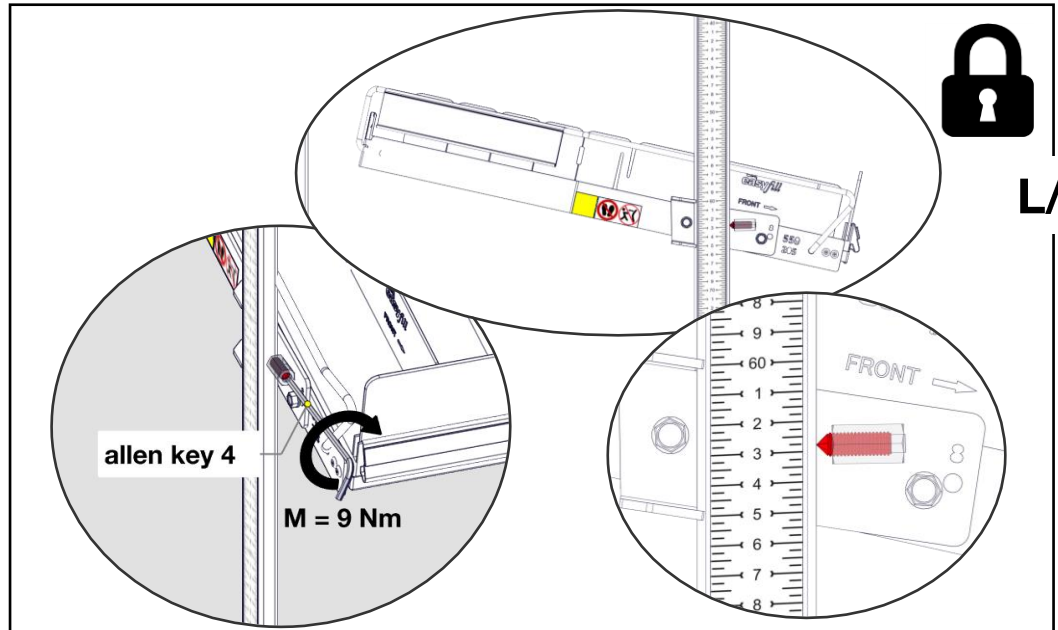
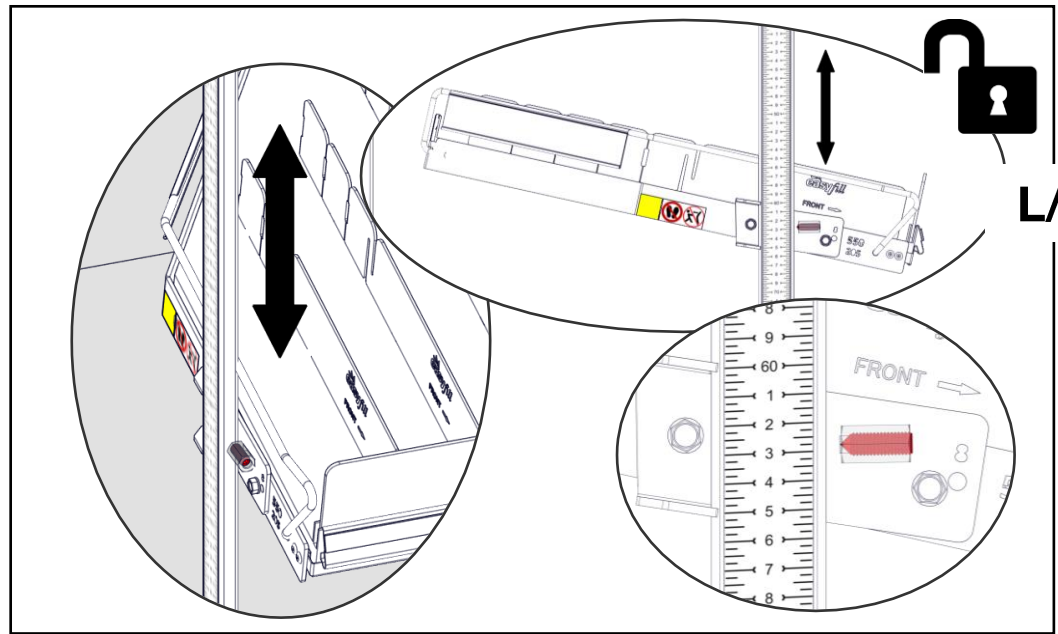
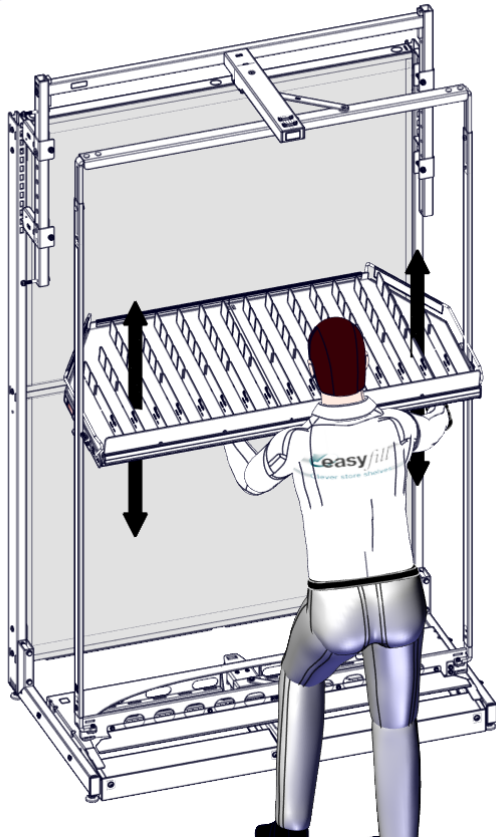
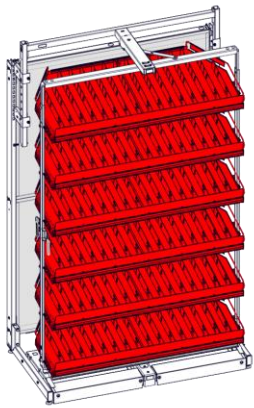
Installation



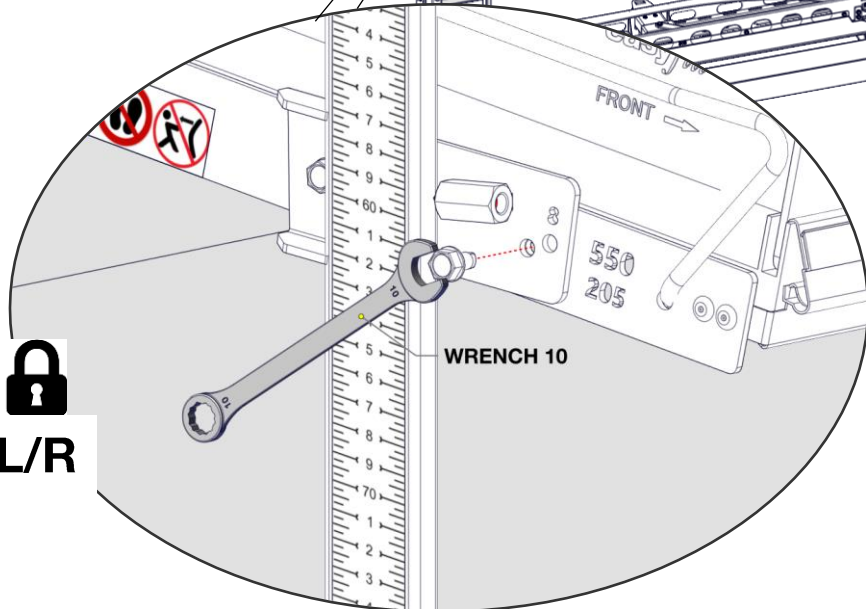
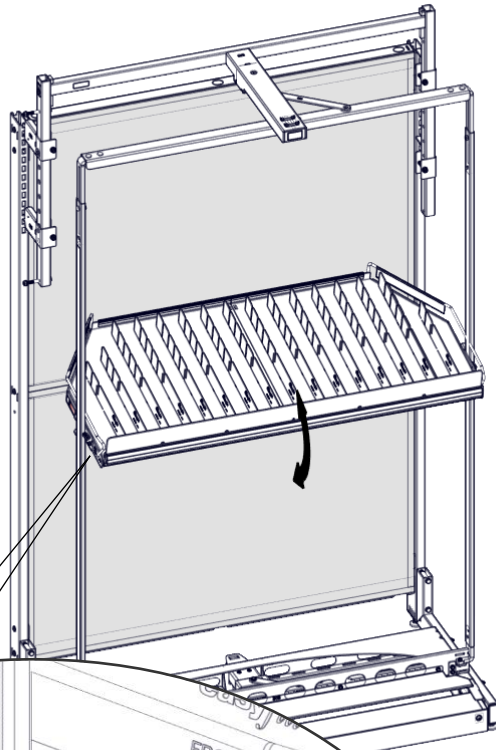
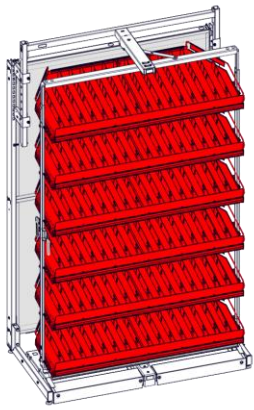
Installation



Installation

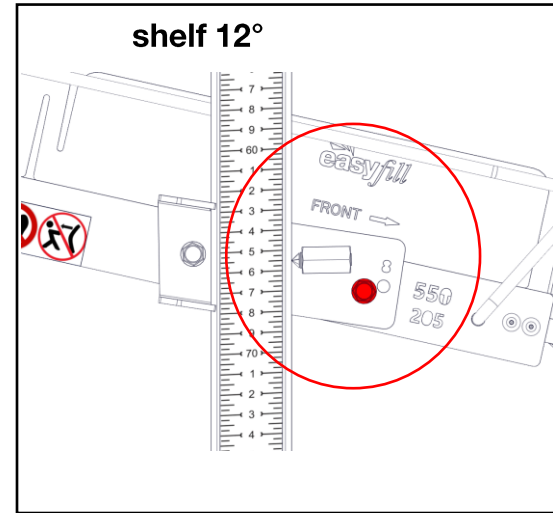


Installation

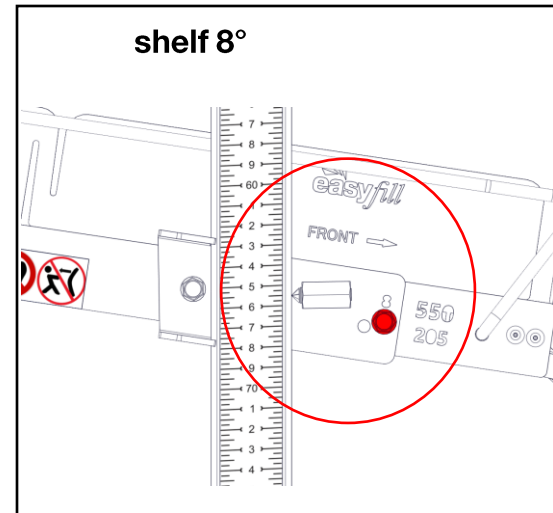


WRENCH 10

L/R

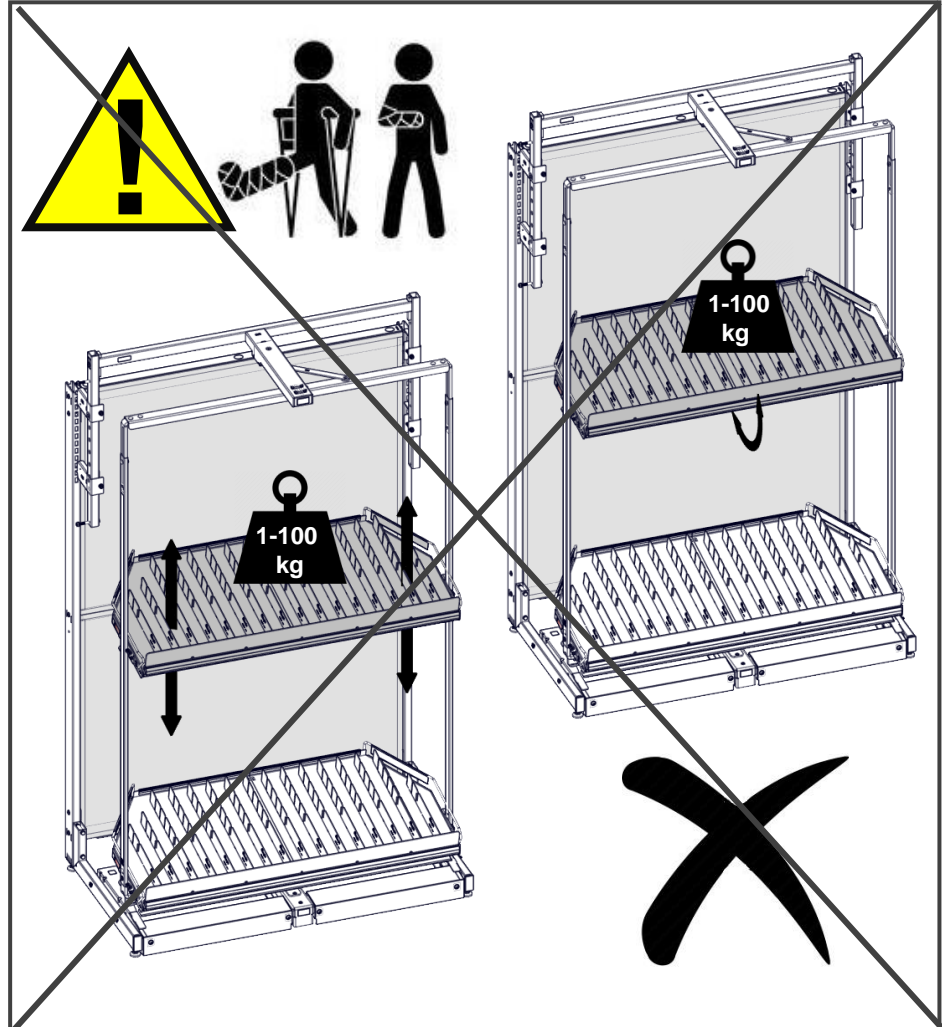
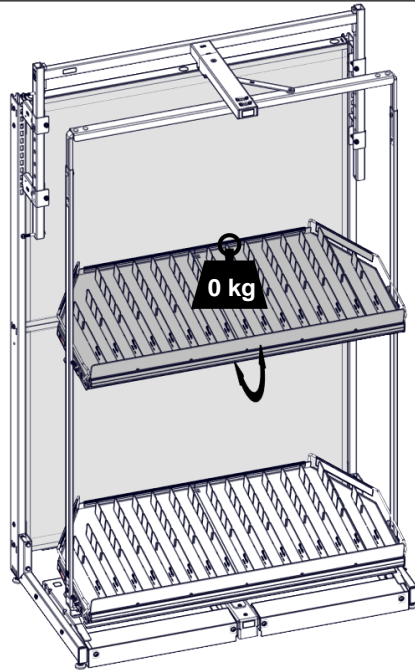
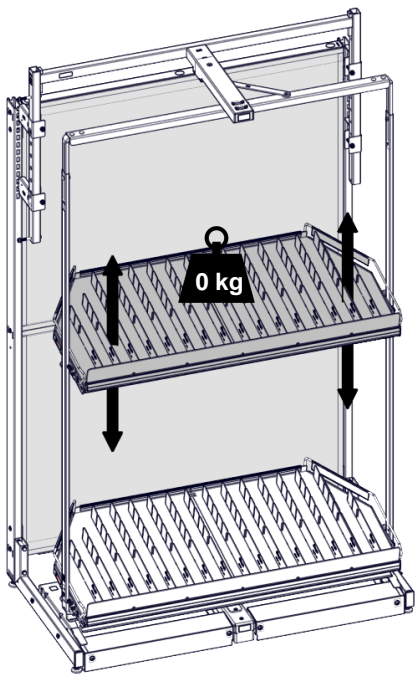
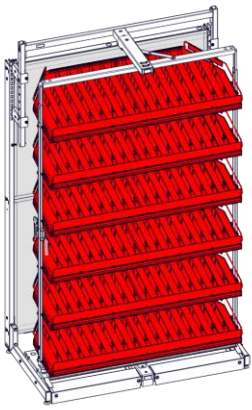


shelf 12°

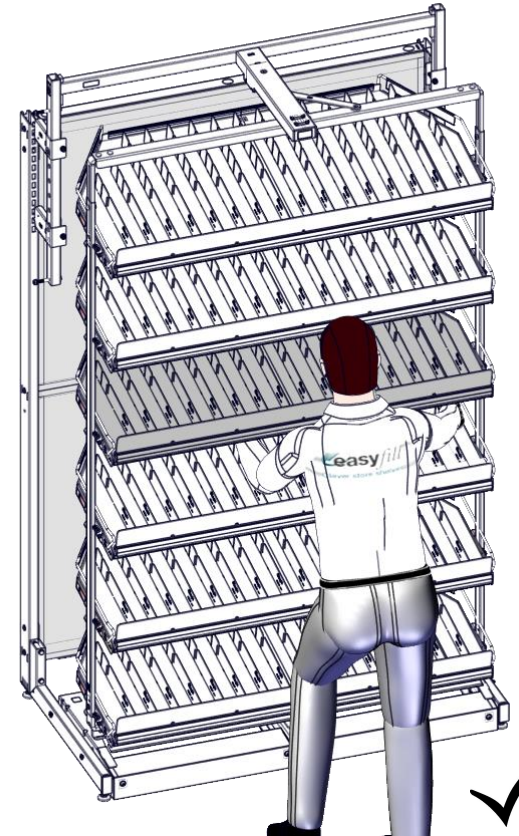
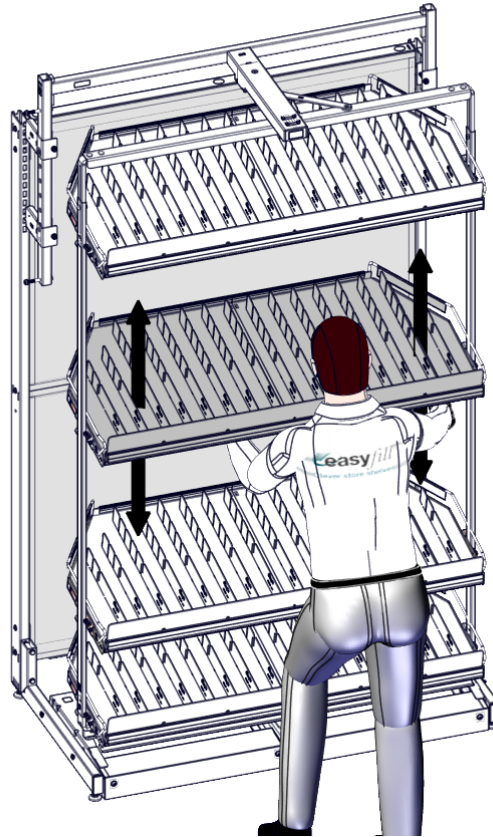
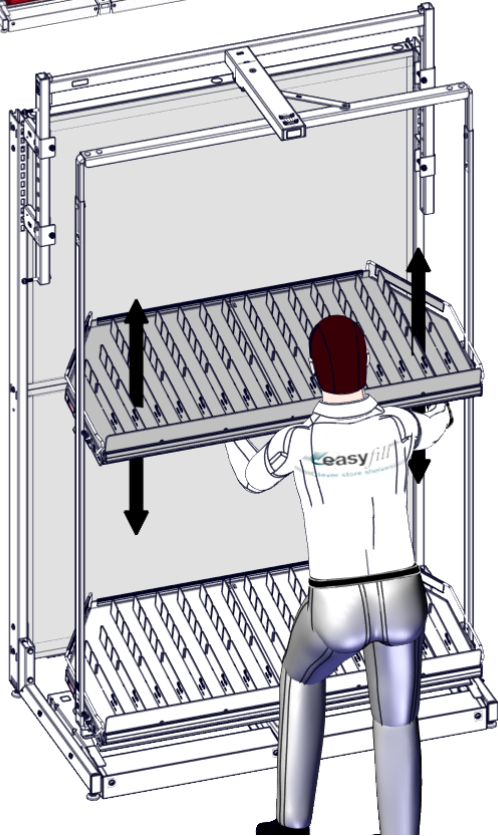
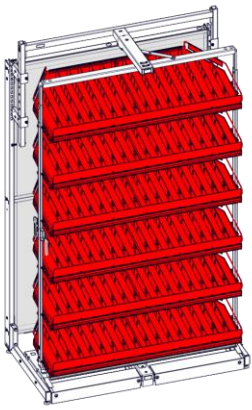


shelf 8°

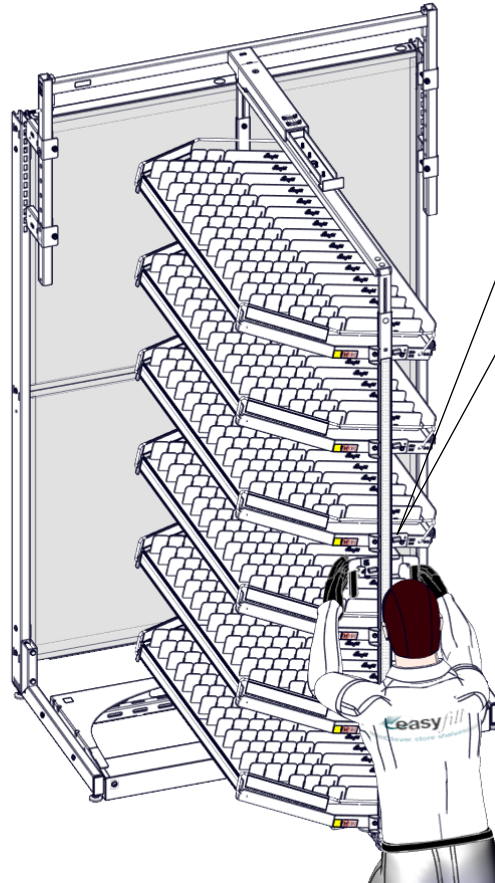
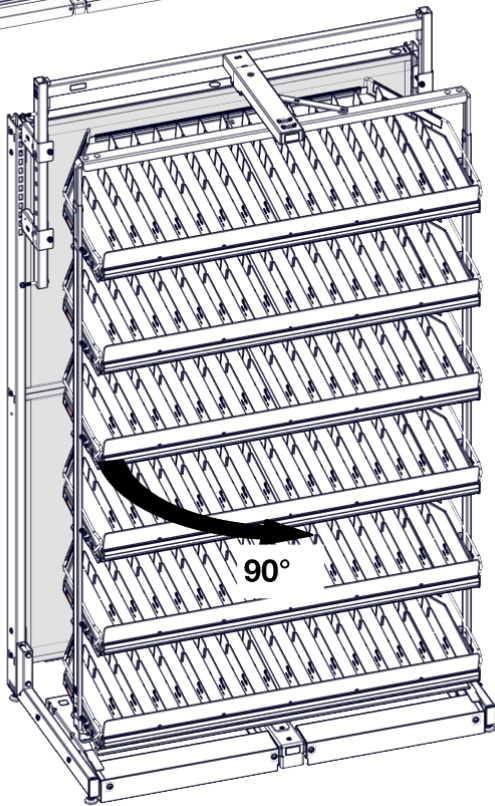
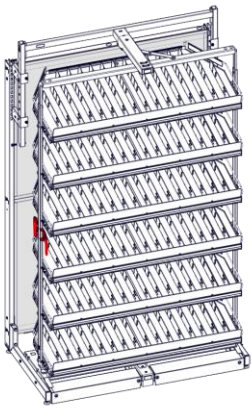
Installation



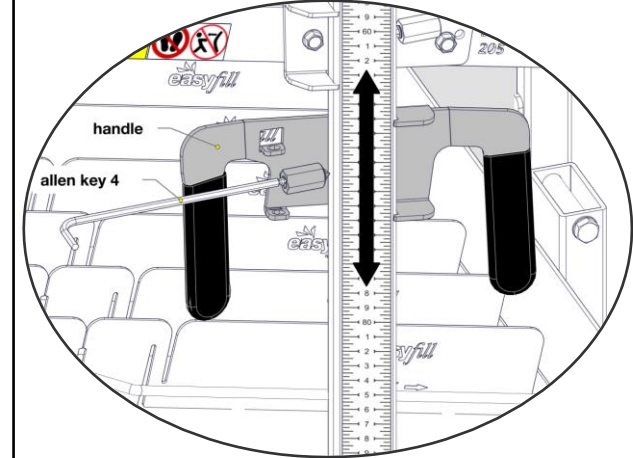
Installation



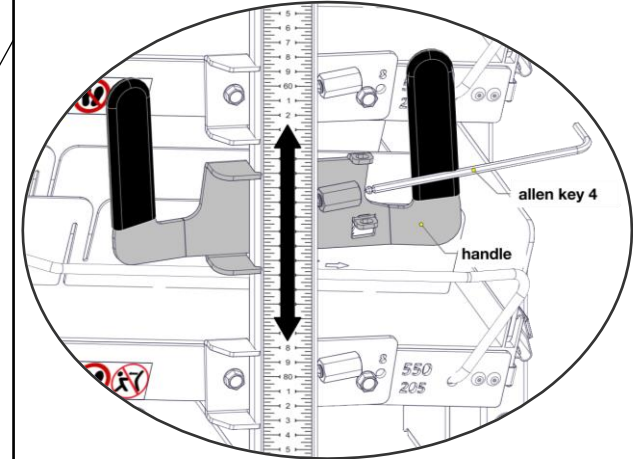
Installation



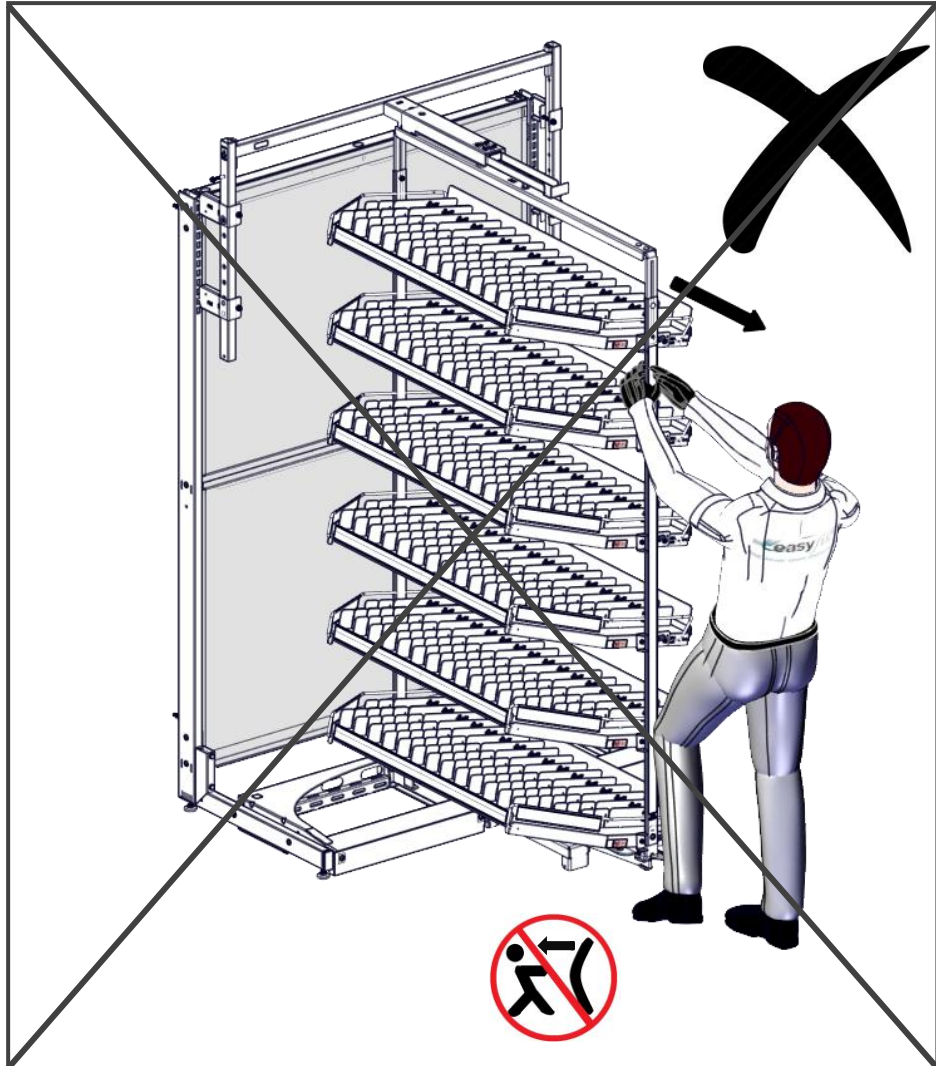
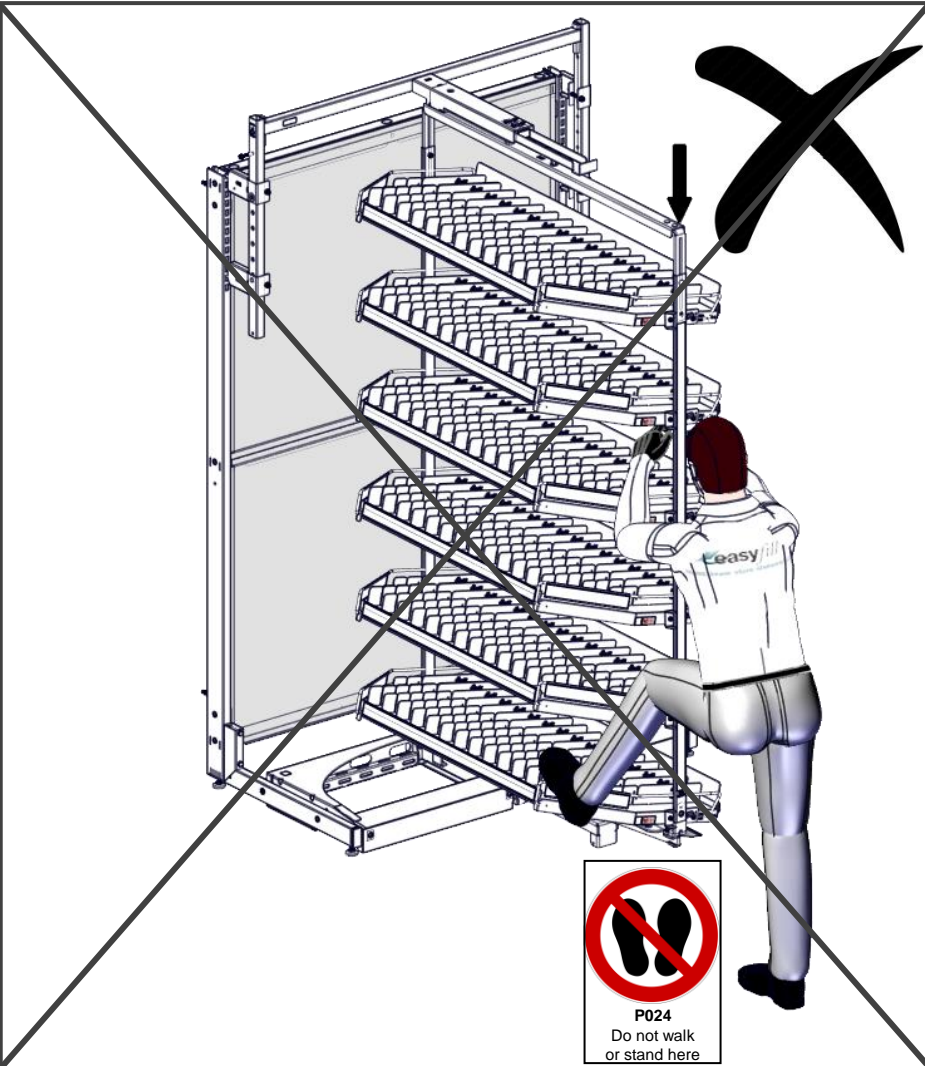
option 1



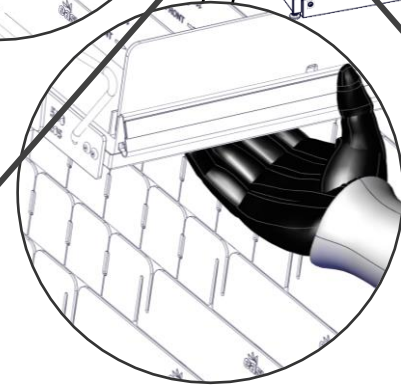
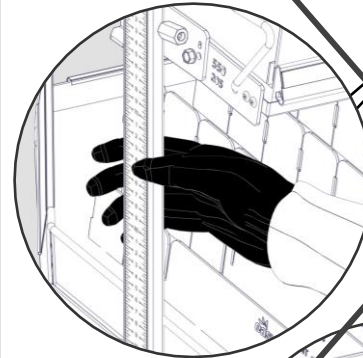
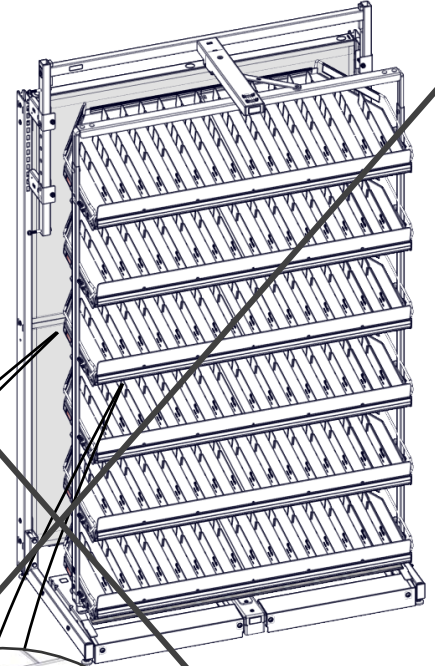
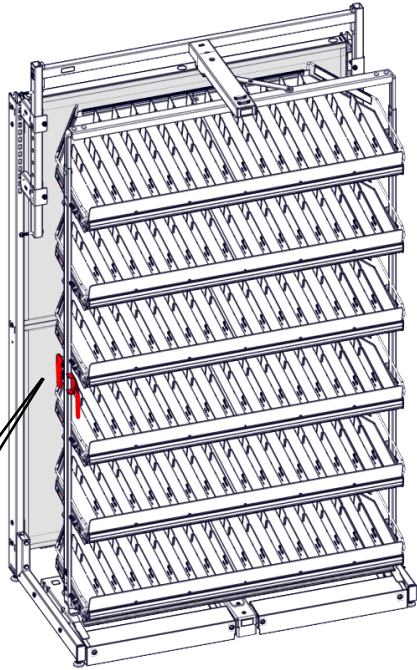
option 2



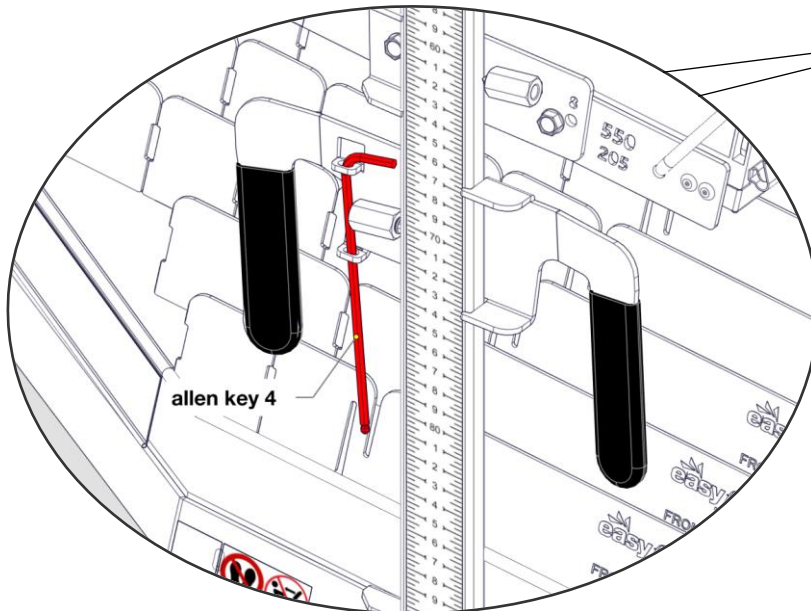
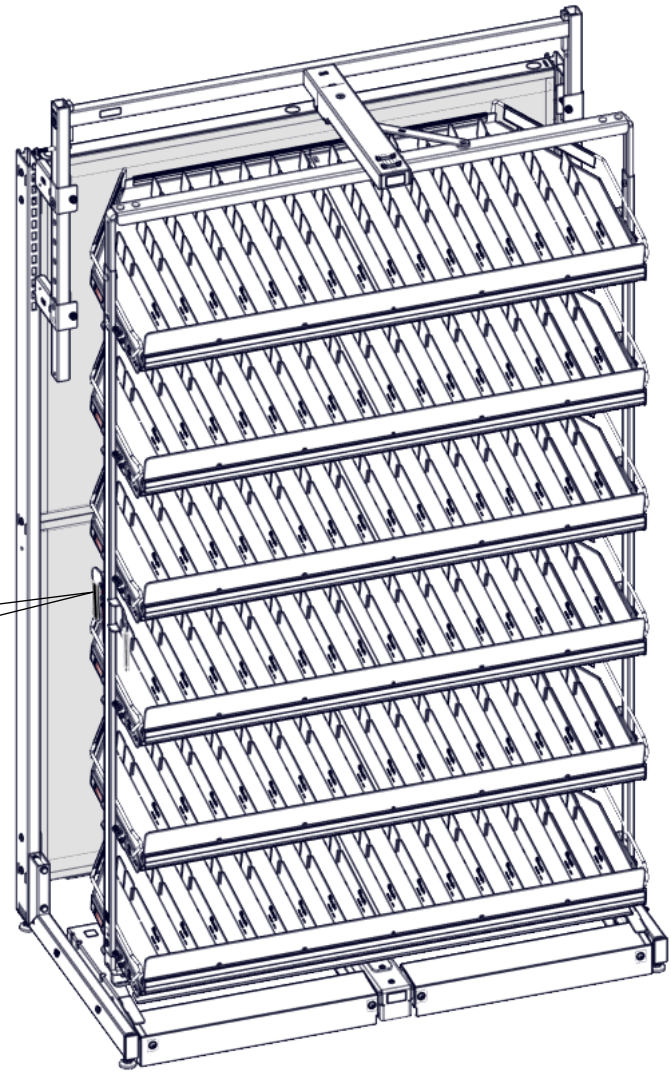
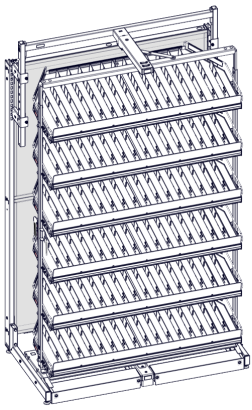
! WARNING !



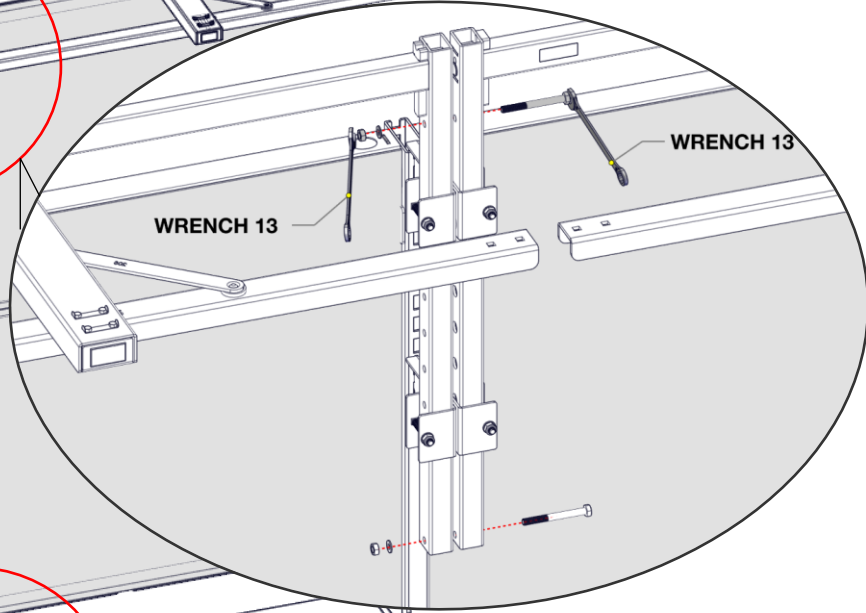
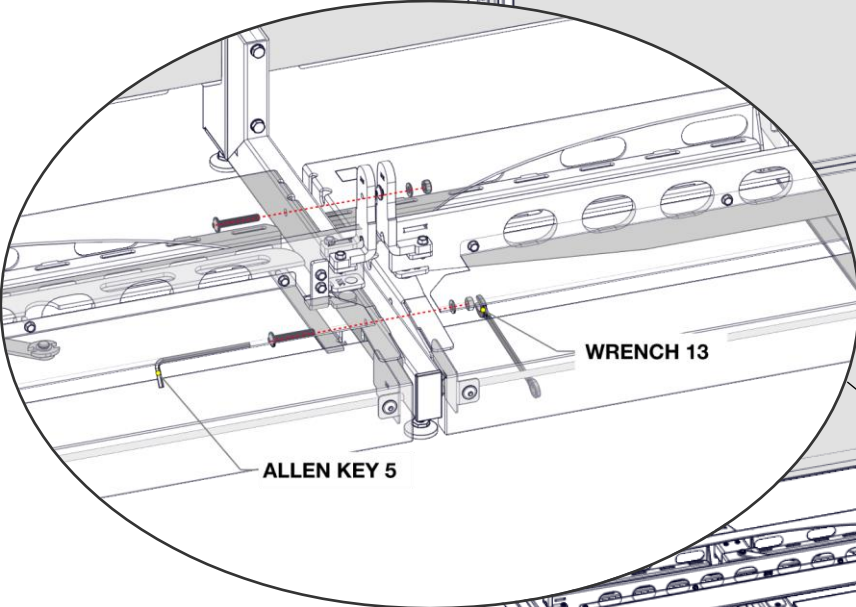
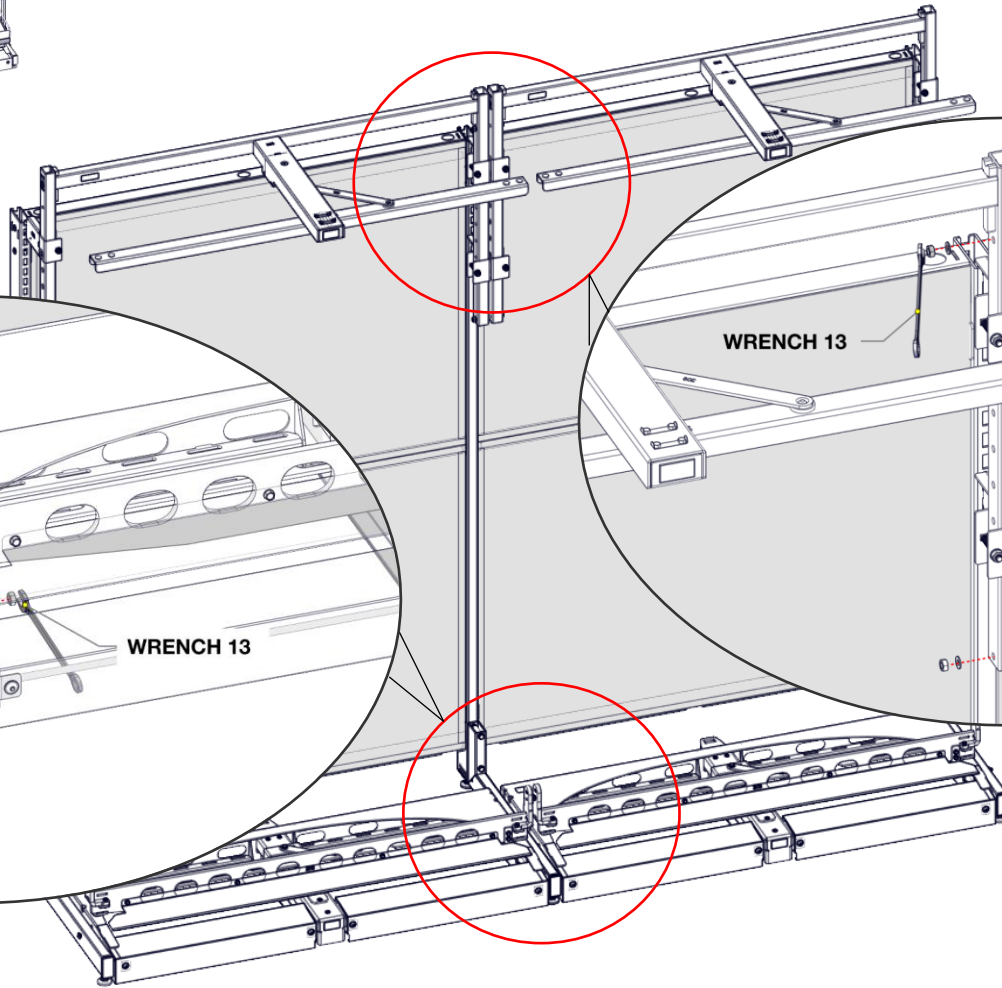
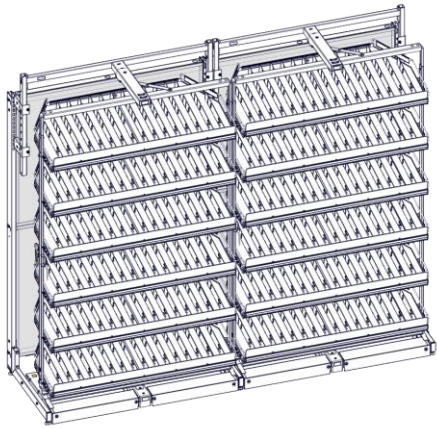
! WARNING !



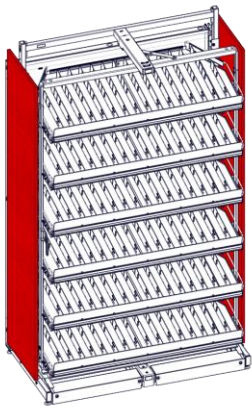
Installation



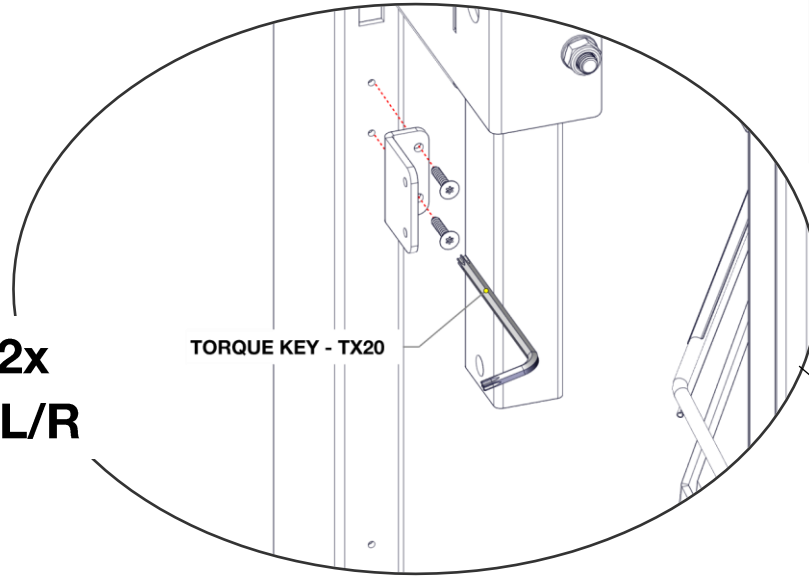
Multiple Installation



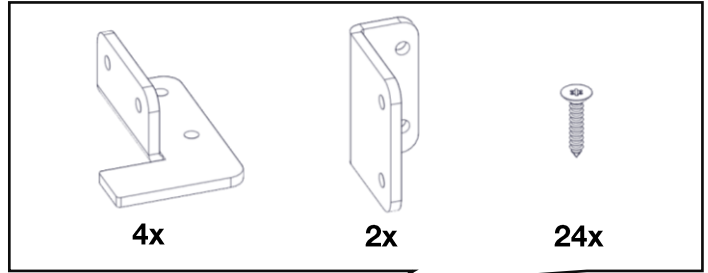
Installation – EXTRA – SIDE COVER



2x
L/R



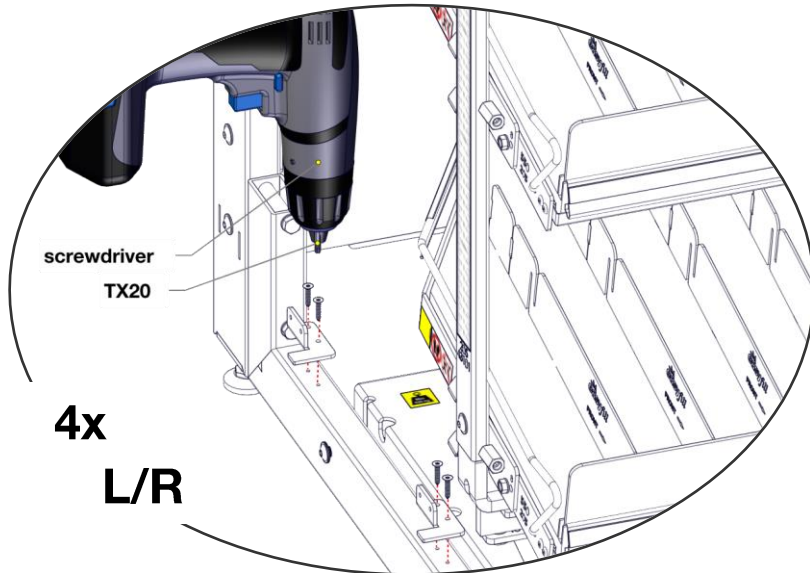
TORQUE KEY - TX20



4x

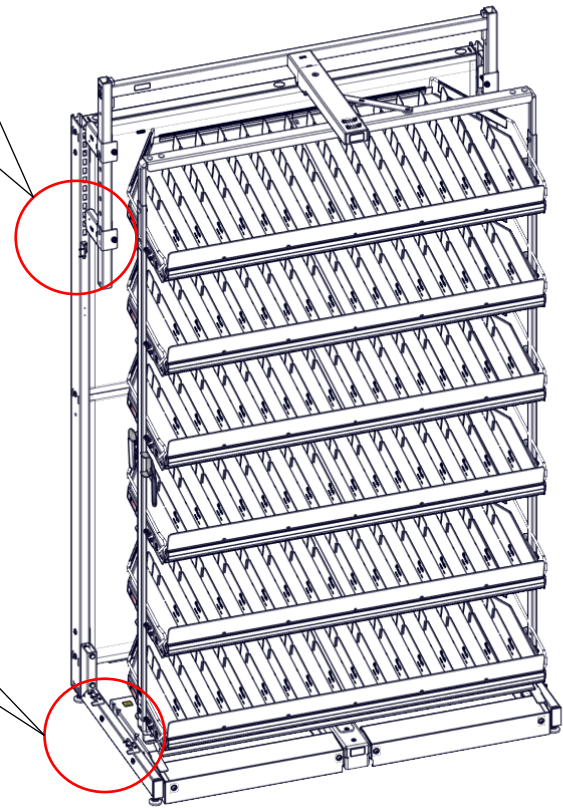
2x

24x

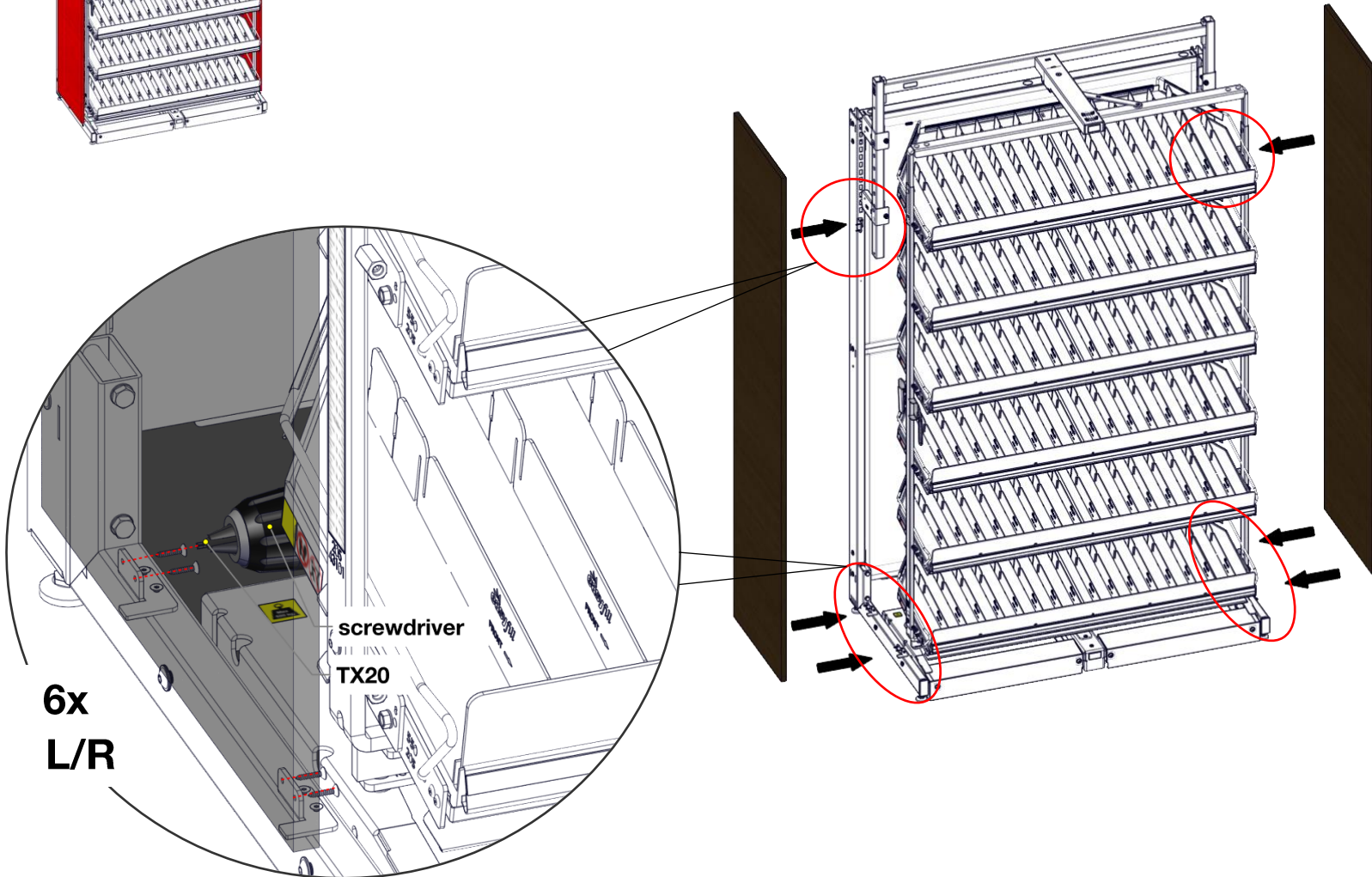
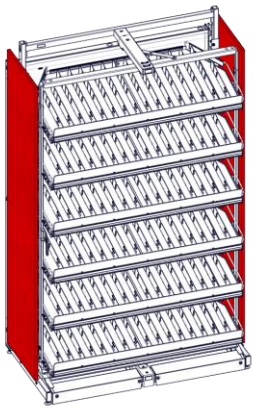


screwdriver
TX20

4x
L/R



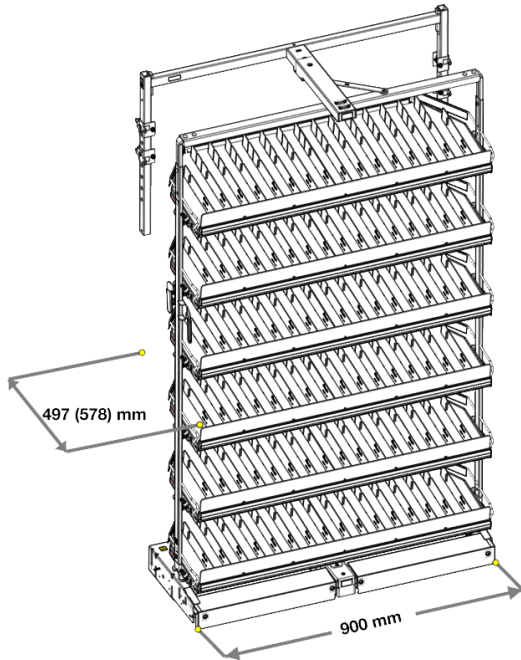
Installation – EXTRA – SIDE COVER



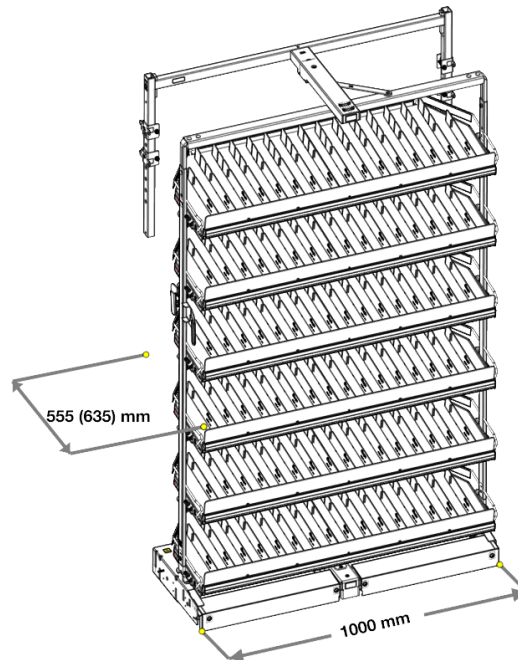
TurnLoader™ AMBIENT **RETROFIT**

Measurement TL™ AMBIENT **RETROFIT**

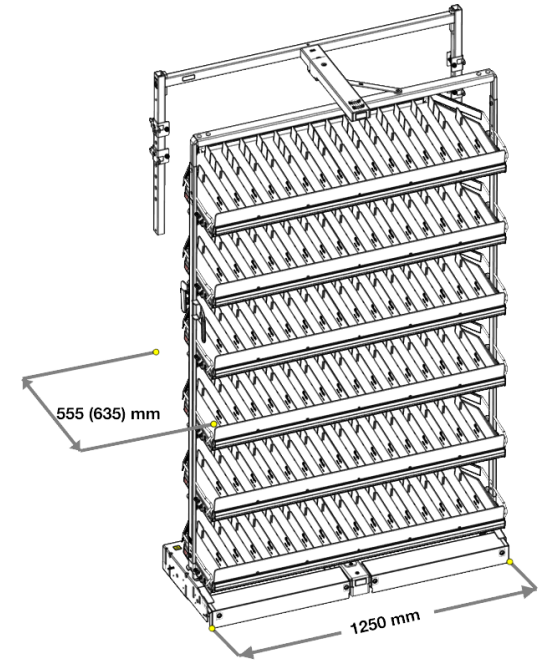
TL™ AMBIENT
900/450(550)



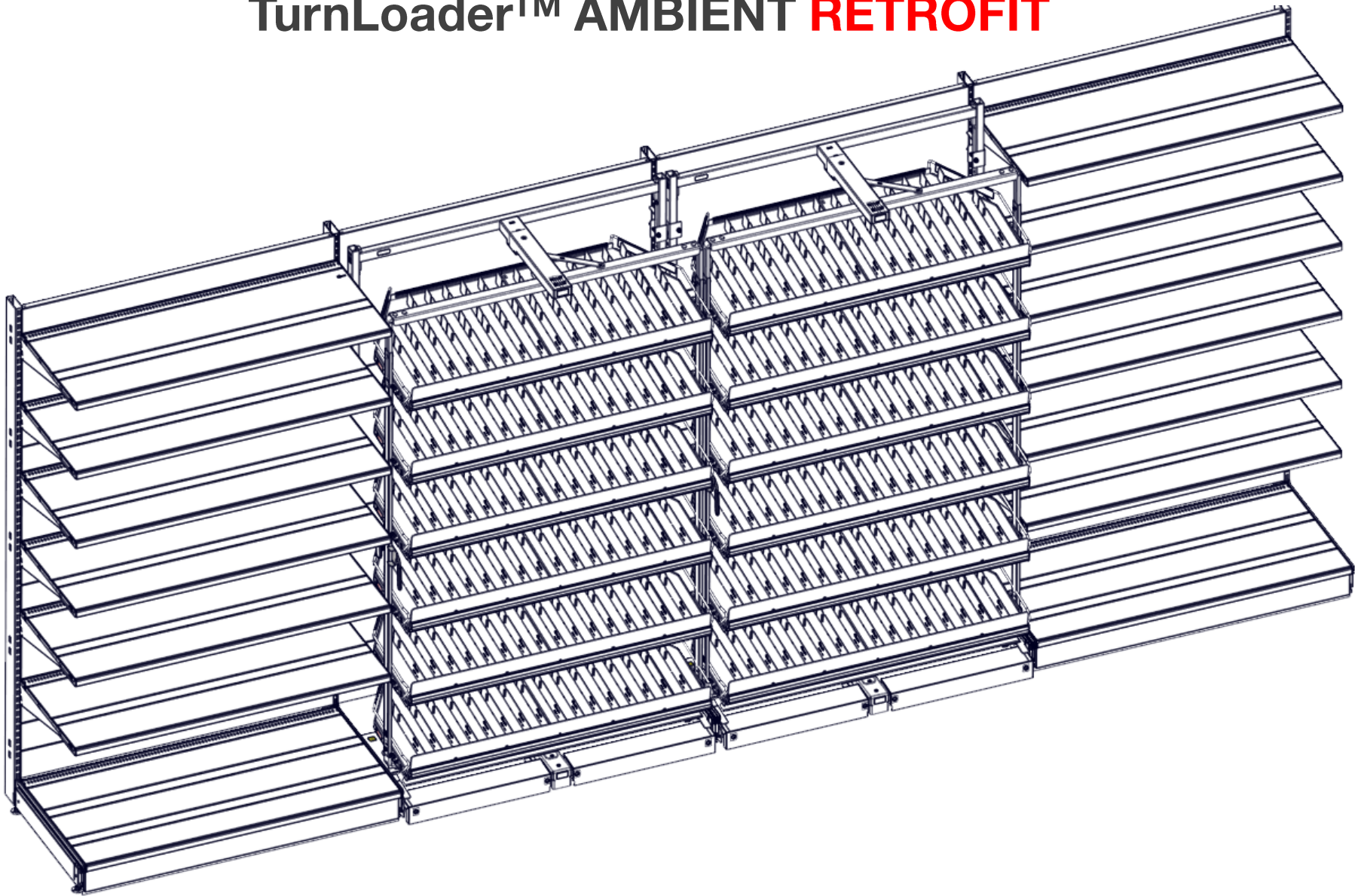
TL™ AMBIENT
1000/450(550)



TL™ AMBIENT
1250/450(550)

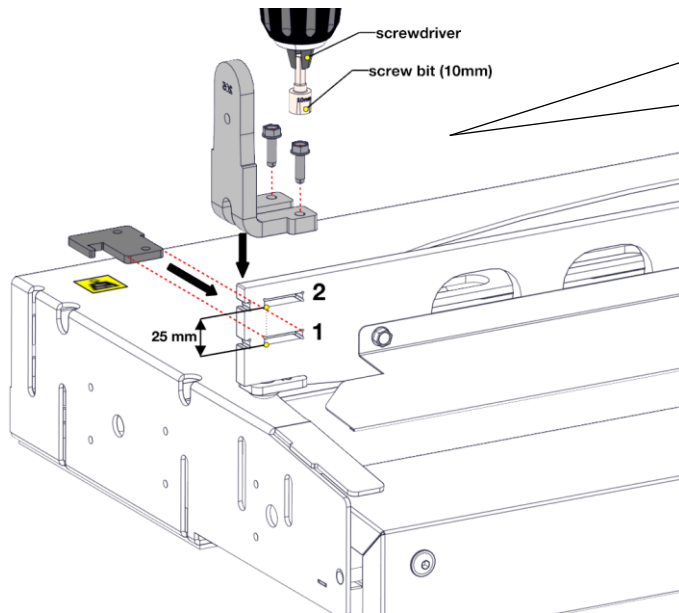
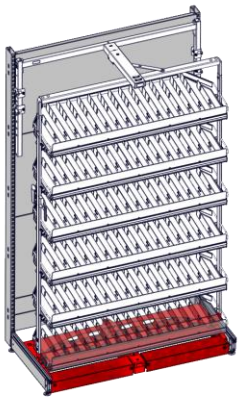


TurnLoader™ AMBIENT RETROFIT

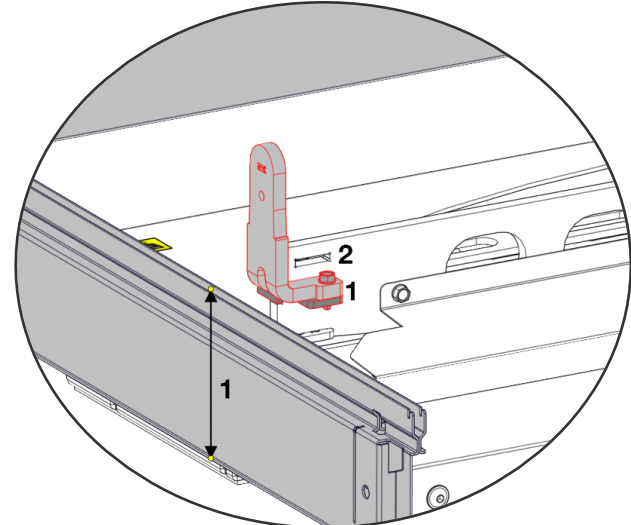


Installation RETROFIT

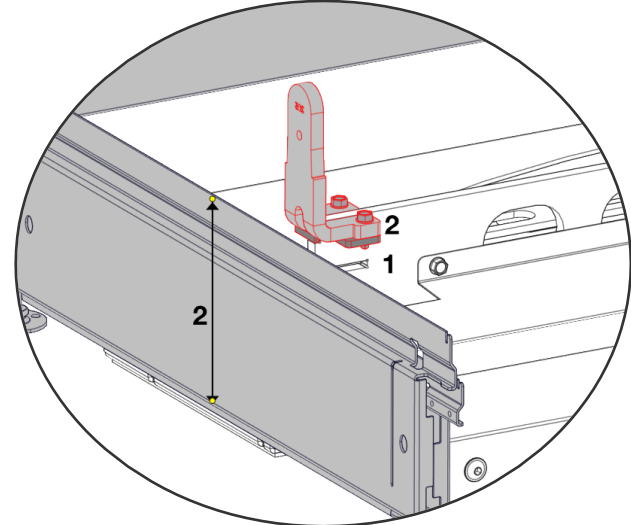
Follow the pages from **24-33**



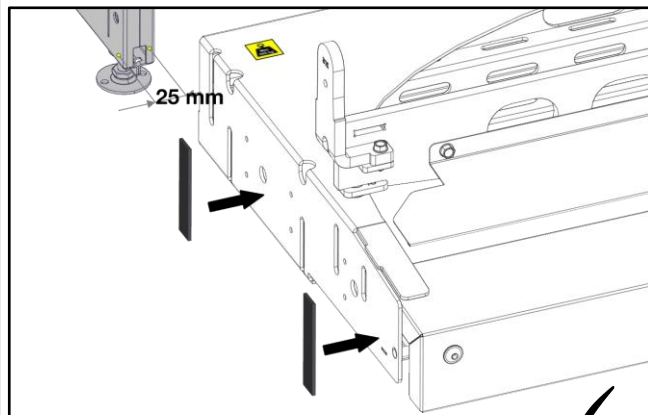
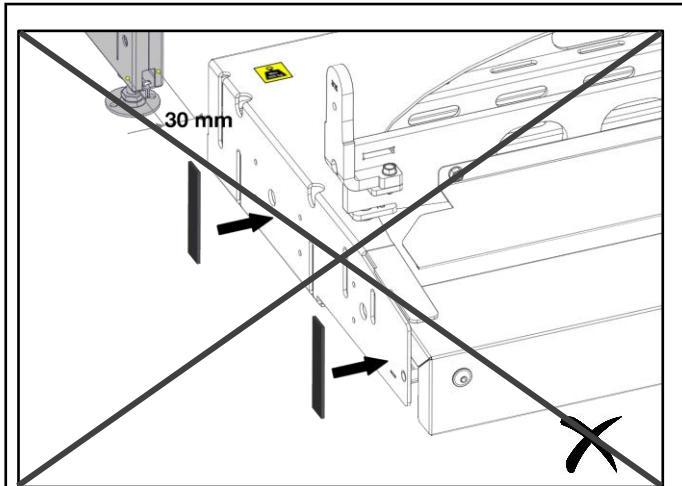
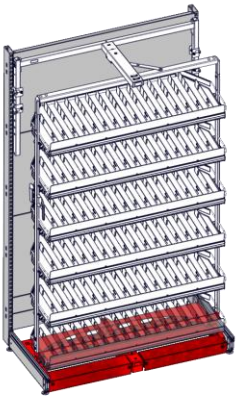
option 1 – only shelf 8°



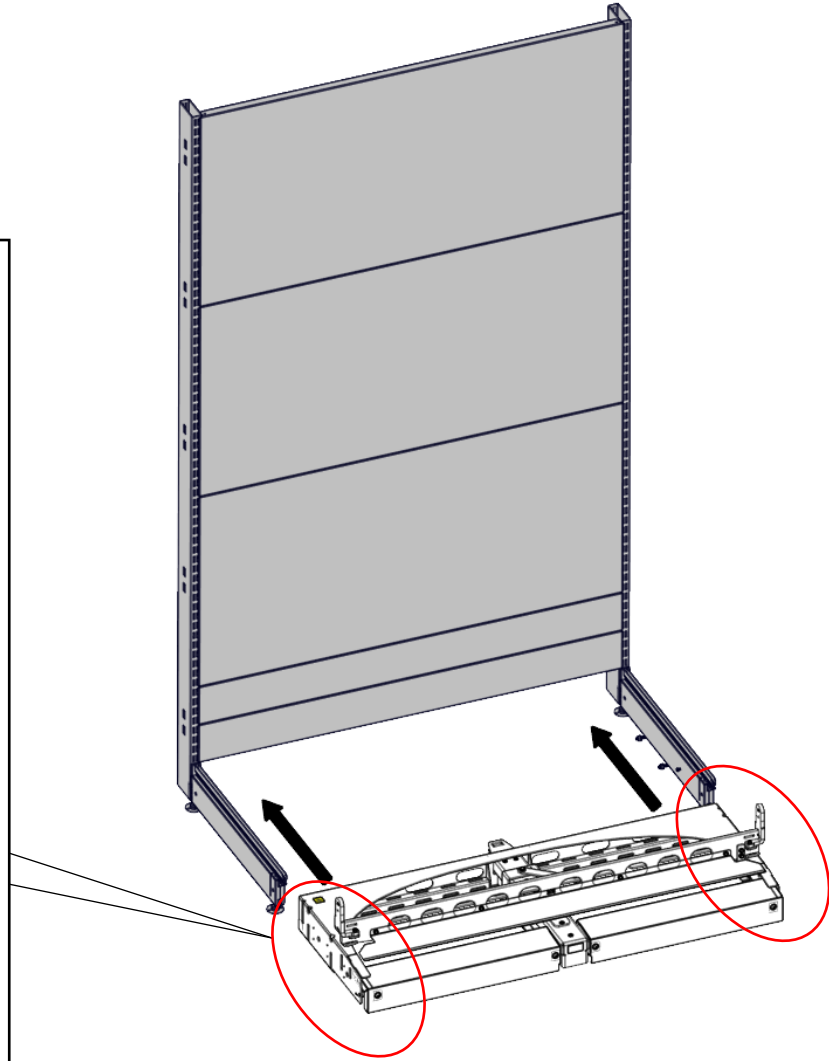
option 2



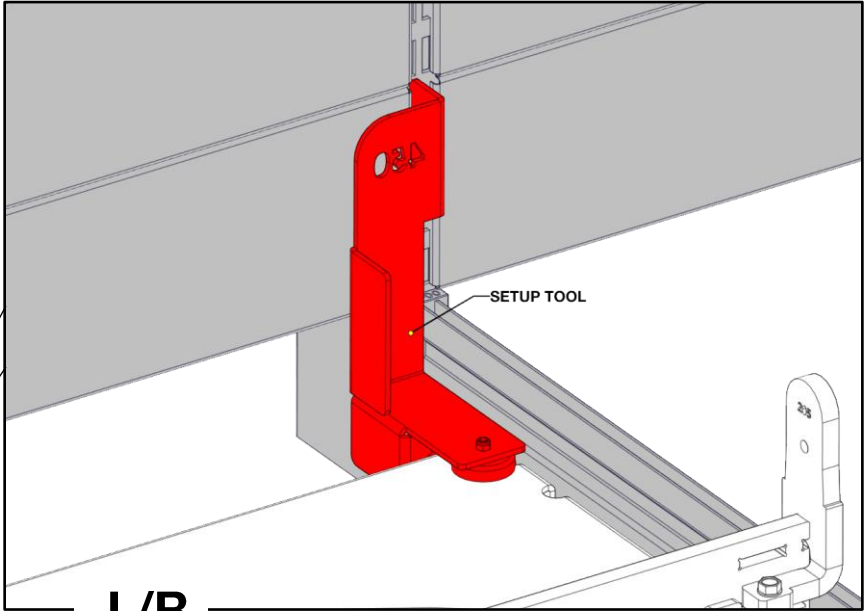
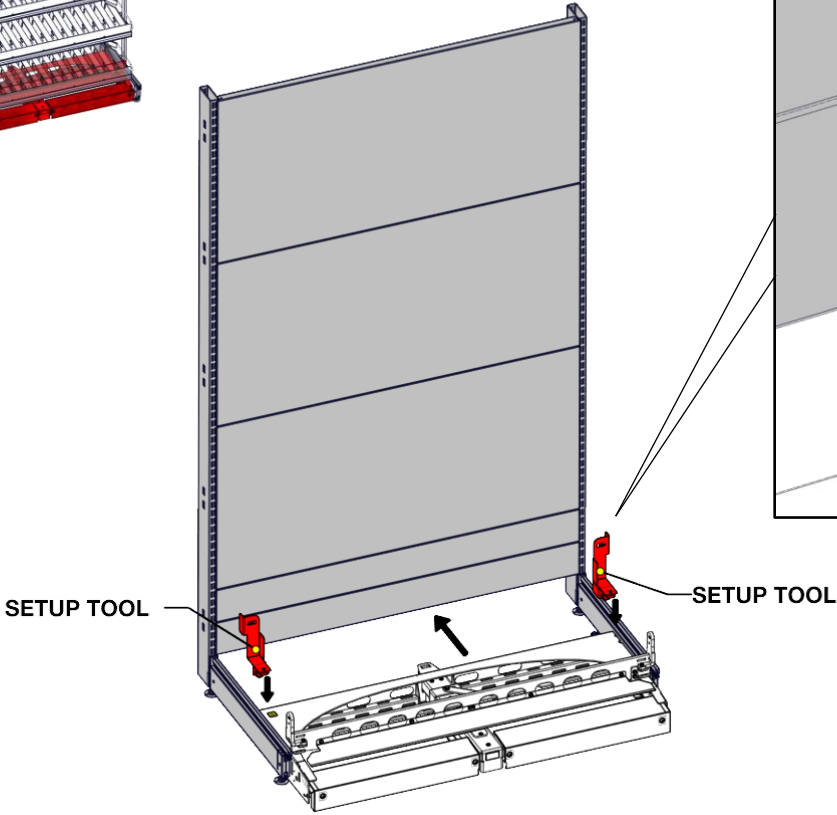
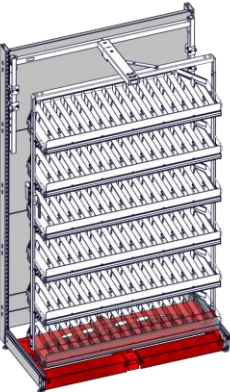
Installation RETROFIT



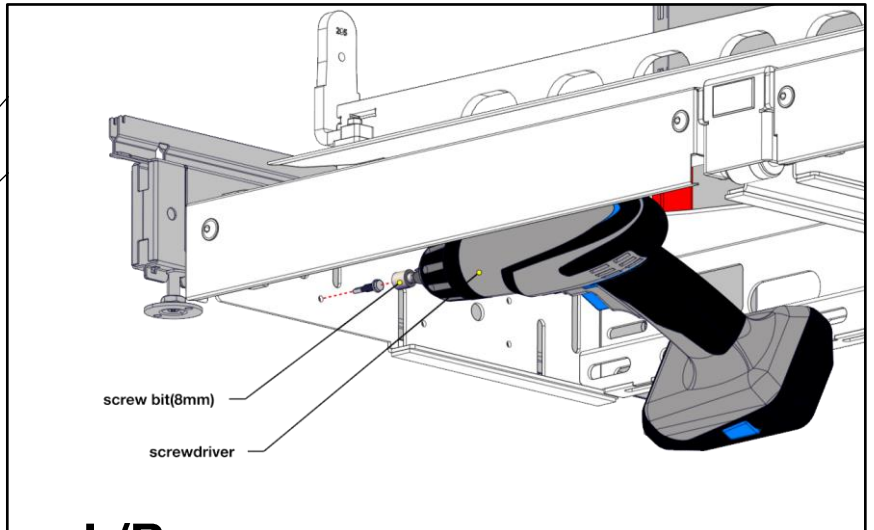
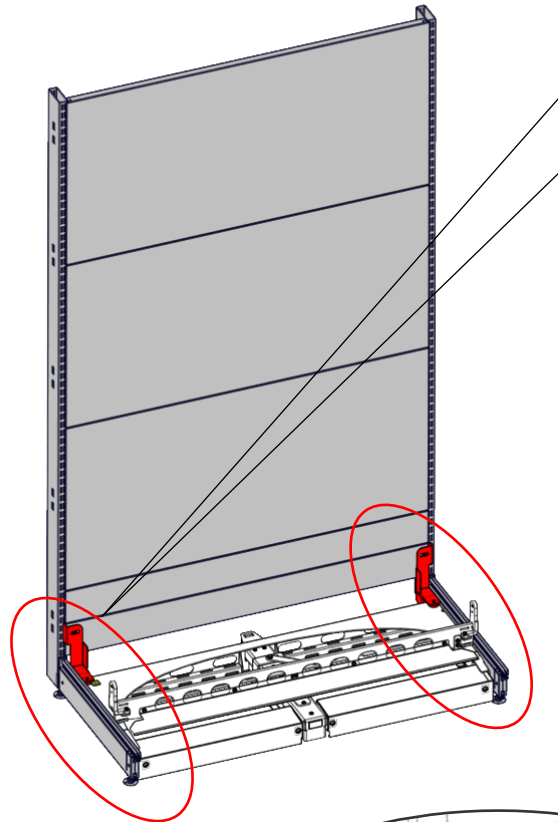
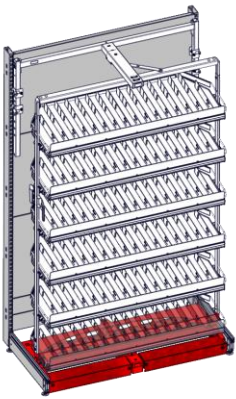
L/R



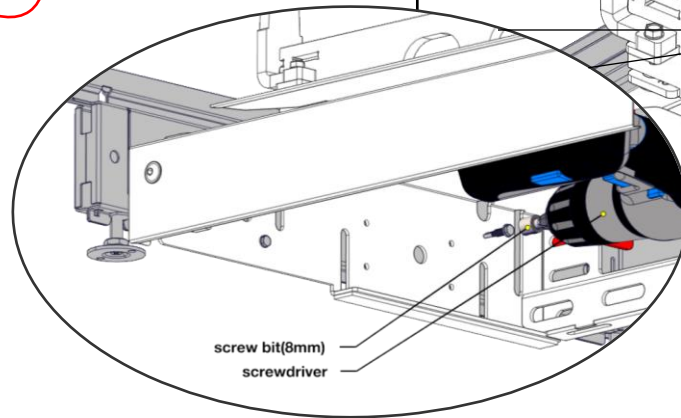
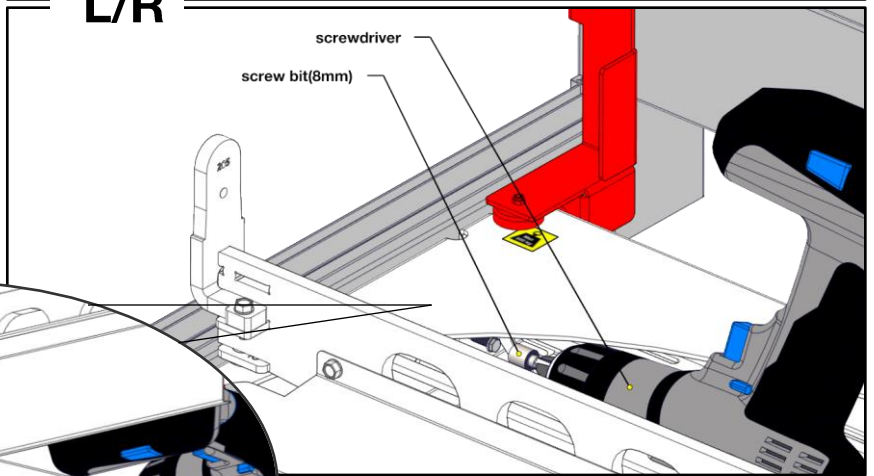
Installation RETROFIT



Installation RETROFIT

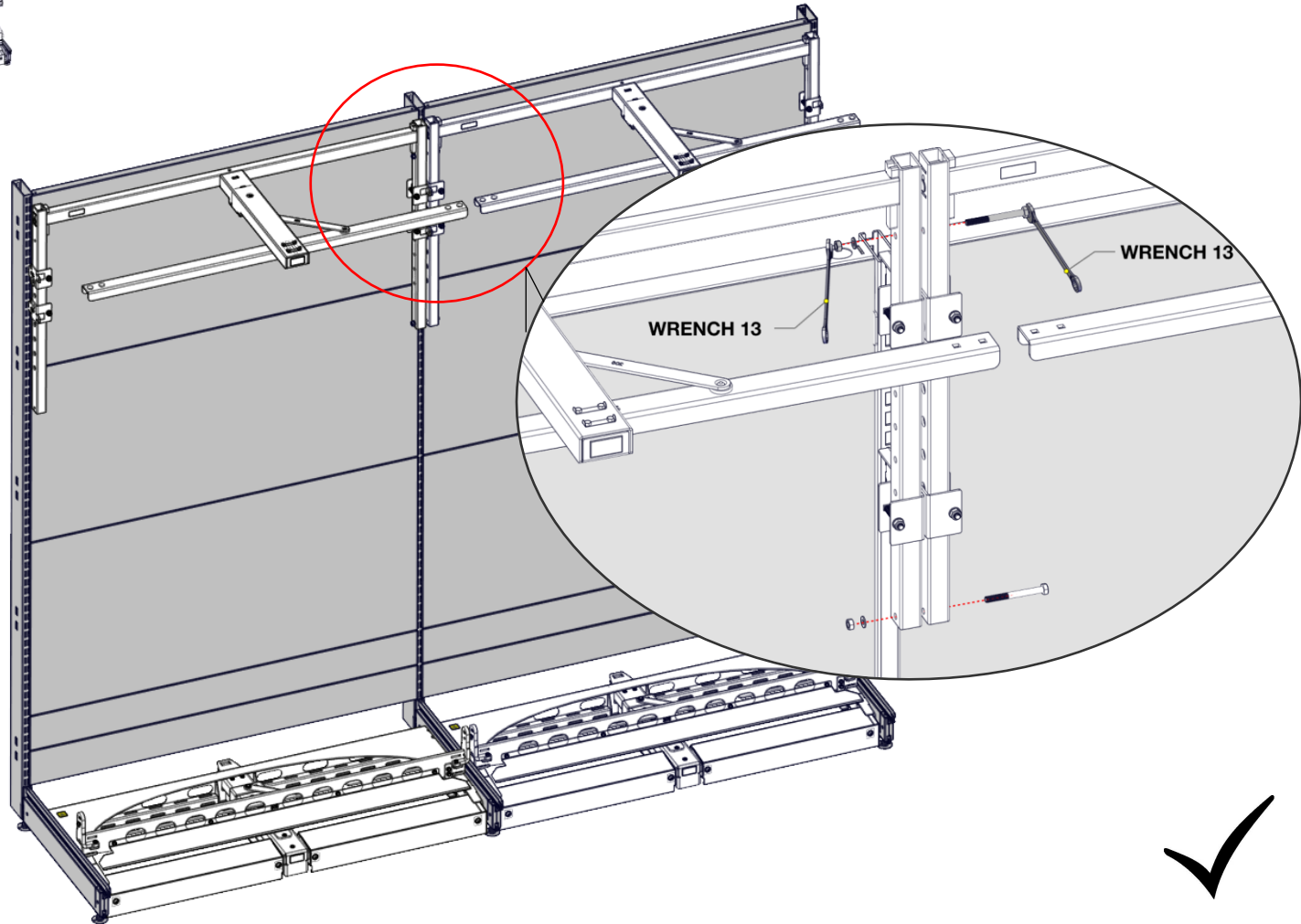


L/R



Follow the pages from **37 - 54**

Multiple Installation

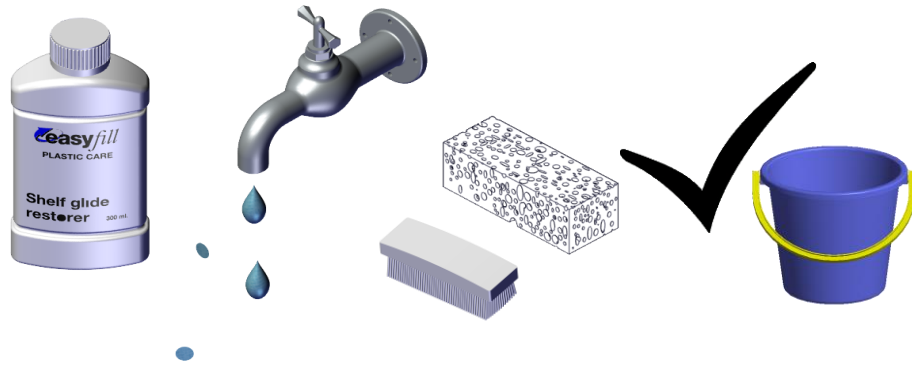


WRENCH 13

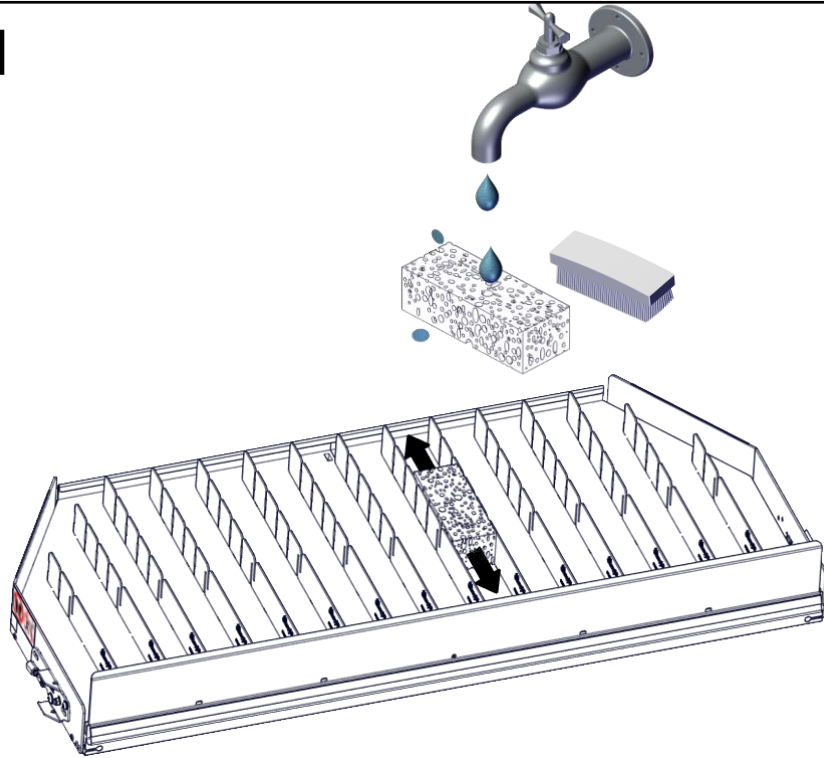
WRENCH 13



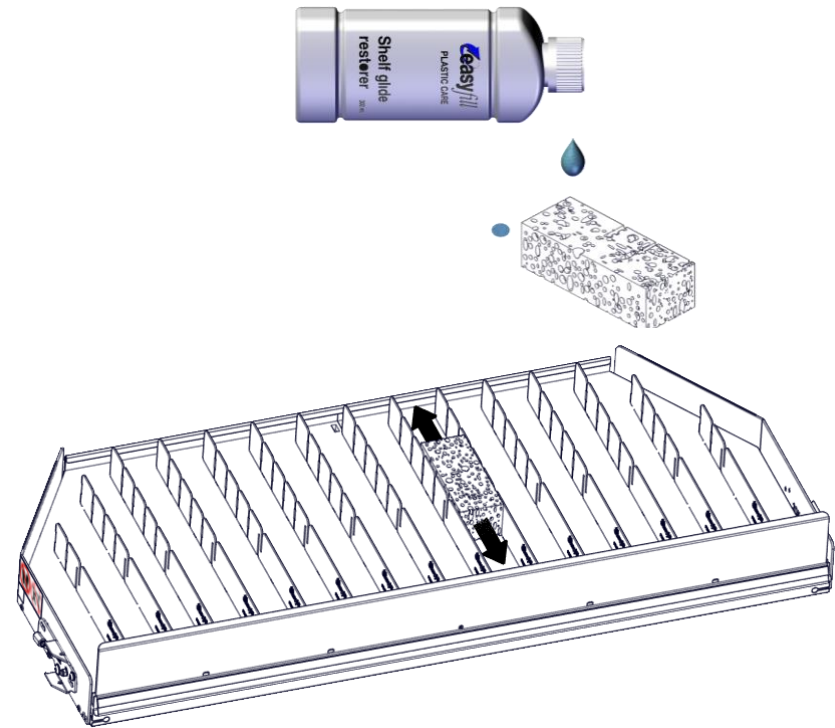
CLEANING



1



2



Thanks!
www.easyfill.se

ALL PICTURES SHOWN ARE FOR ILLUSTRATION PURPOSE ONLY.
ACTUAL PRODUCT MAY VARY DUE TO PRODUCT ENHANCEMENT.
ALL CHANGES ARE RESERVED BY EASYFILL.